

Packaged Rooftop

Performance and Dimensional Data

XMPX.

XMPX-14

Size-12 Plenum Fan

CFM	Static Pressure (in. wg)															
	1		2		3		4		5		6		7		8	
	FRPM	BHP	FRPM	BHP	FRPM	BHP	FRPM	BHP	FRPM	BHP	FRPM	BHP	FRPM	BHP	FRPM	BHP
1200	1408	0.29	1755	0.58												
1300	1462	0.32	1799	0.63												
1400	1518	0.34	1846	0.67	2120	1.03										
1500	1575	0.38	1894	0.72	2163	1.09										
1600	1639	0.41	1942	0.77	2207	1.16	2441	1.57								
1700	1704	0.45	1992	0.82	2254	1.23	2483	1.66	2691	2.10						
1800	1770	0.49	2047	0.87	2302	1.30	2527	1.75	2733	2.21						
1900	1837	0.54	2102	0.93	2350	1.37	2573	1.83	2776	2.32	2964	2.81				
2000	1904	0.58	2158	0.99	2399	1.44	2620	1.92	2820	2.43	3006	2.94				
2100	1971	0.64	2214	1.05	2450	1.52	2668	2.01	2865	2.54	3049	3.07	3222	3.61		
2200	2040	0.69	2278	1.12	2504	1.60	2716	2.11	2912	2.65	3093	3.20	3264	3.76	3425	4.34
2300	2109	0.75	2342	1.19	2559	1.68	2765	2.21	2960	2.76	3139	3.33	3307	3.92	3467	4.51
2400	2178	0.81	2407	1.27	2615	1.77	2815	2.32	3008	2.88	3186	3.46	3351	4.08	3510	4.68
2500	2248	0.88	2473	1.35	2671	1.86	2870	2.42	3056	3.00	3233	3.60	3398	4.22		
2600	2319	0.95	2539	1.44	2729	1.95	2924	2.53	3105	3.13	3281	3.74	3445	4.38		
2700	2391	1.03	2606	1.53	2793	2.06	2980	2.64	3157	3.26	3329	3.89	3492	4.54		
2800	2464	1.11	2673	1.63	2858	2.17	3035	2.75	3211	3.39	3378	4.04				
2900	2537	1.19	2741	1.73	2923	2.28	3092	2.87	3266	3.52	3427	4.19				
3000	2610	1.28	2809	1.83	2988	2.40	3150	3.00	3321	3.66	3481	4.35				
3100	2684	1.38	2877	1.94	3054	2.53	3214	3.14	3376	3.80						
3200	2758	1.48	2946	2.06	3121	2.66	3278	3.29	3433	3.95						

XMPX-14, XMPX-24

Size-15 Plenum Fan

CFM	Static Pressure (in. wg)															
	1		2		3		4		5		6		7		8	
	RPM	BHP	RPM	BHP	RPM	BHP	RPM	BHP	RPM	BHP	RPM	BHP	RPM	BHP	RPM	BHP
3000	1910	0.90	2154	1.46	2371	2.05	2570	2.67	2750	3.33						
3200	2002	1.01	2238	1.61	2448	2.22	2641	2.87	2819	3.55						
3400	2096	1.13	2324	1.76	2528	2.41	2713	3.09	2889	3.79	3051	4.52				
3600	2191	1.27	2411	1.92	2608	2.61	2790	3.31	2961	4.04						
3800	2287	1.41	2500	2.10	2691	2.82	2869	3.55	3033	4.31						
4000	2385	1.56	2590	2.29	2776	3.04	2949	3.81								
4200	2483	1.73	2681	2.49	2862	3.27	3029	4.08								
4400	2582	1.91	2773	2.71	2949	3.52										
4600	2682	2.11	2867	2.94	3038	3.78										
4800	2782	2.32	2960	3.19												
5000	2883	2.55	3055	3.45												
5200	2984	2.79														

XMPX-24, XMPX-34

Size-16 Plenum Fan

CFM	Static Pressure (in. wg)															
	1		2		3		4		5		6		7		8	
	RPM	BHP	RPM	BHP	RPM	BHP	RPM	BHP	RPM	BHP	RPM	BHP	RPM	BHP	RPM	BHP
3600	1726	1.07	1949	1.75	2146	2.46	2328	3.20								
4000	1865	1.30	2076	2.04	2264	2.81	2435	3.61	2596	4.45	2744	5.32				
4400	2007	1.56	2207	2.36	2384	3.21	2549	4.06	2703	4.95						
4800	2153	1.86	2341	2.73	2511	3.63	2669	4.56								
5200	2301	2.20	2478	3.14	2641	4.10										
5600	2451	2.59	2618	3.60	2773	4.62										
6000	2602	3.02	2759	4.11												
6400	2754	3.51														

Packaged Rooftop

Performance and Dimensional Data XMPX.

XMPX-24, XMPX-34 Size-18 Plenum Fan

CFM	Static Pressure (in. wg)															
	1		2		3		4		5		6		7		8	
	RPM	BHP	RPM	BHP	RPM	BHP	RPM	BHP	RPM	BHP	RPM	BHP	RPM	BHP	RPM	BHP
4500	1563	1.51	1739	2.32	1906	3.18	2063	4.07								
5000	1699	1.88	1860	2.74	2014	3.68	2162	4.65	2301	5.65						
5500	1836	2.32	1984	3.23	2127	4.24	2266	5.30	2399	6.37	2525	7.46				
6000	1976	2.84	2113	3.80	2248	4.86	2376	5.99	2501	7.16	2623	8.32				
6500	2117	3.43	2247	4.46	2371	5.57	2492	6.77	2611	8.00						
7000	2260	4.12	2383	5.21	2497	6.35	2613	7.62								
7500	2403	4.90	2520	6.05	2629	7.26										
8000	2548	5.78	2658	7.00												

XMPX-34 Size-20 Plenum Fan

CFM	Static Pressure (in. wg)															
	1		2		3		4		5		6		7		8	
	RPM	BHP	RPM	BHP	RPM	BHP	RPM	BHP	RPM	BHP	RPM	BHP	RPM	BHP	RPM	BHP
6000	1428	1.86	1602	2.96	1759	4.11	1908	5.37								
6500	1517	2.16	1682	3.34	1832	4.57	1970	5.85	2108	7.27						
7000	1609	2.51	1763	3.77	1907	5.06	2041	6.41	2168	7.84	2295	9.40				
7500	1703	2.90	1847	4.23	1986	5.60	2114	7.02	2236	8.50						
8000	1797	3.34	1934	4.73	2066	6.19	2190	7.69	2308	9.22						
8500	1892	3.83	2022	5.27	2147	6.83	2268	8.39								
9000	1988	4.37	2111	5.87	2230	7.51										

XMPX-34 Size-22 Plenum Fan

CFM	Static Pressure (in. wg)															
	1		2		3		4		5		6		7		8	
	RPM	BHP	RPM	BHP	RPM	BHP	RPM	BHP	RPM	BHP	RPM	BHP	RPM	BHP	RPM	BHP
7000	1229	2.07	1392	3.36	1537	4.73	1678	6.27								
7800	1332	2.52	1483	3.94	1620	5.42	1747	6.99	1874	8.73						
8600	1438	3.06	1577	4.61	1707	6.20	1828	7.86	1943	9.63	2058	11.6				
9000	1493	3.38	1626	4.98	1753	6.64	1871	8.35	1983	10.17	2093	12.1	2232	14.7		

XMPX-34 Size-24 Plenum Fan

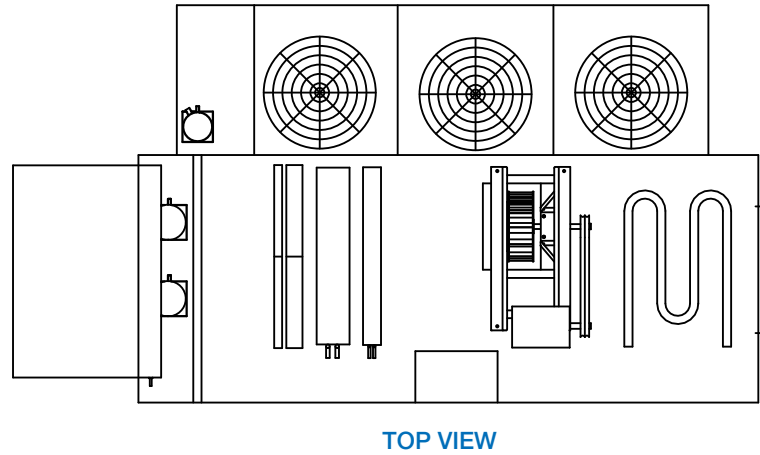
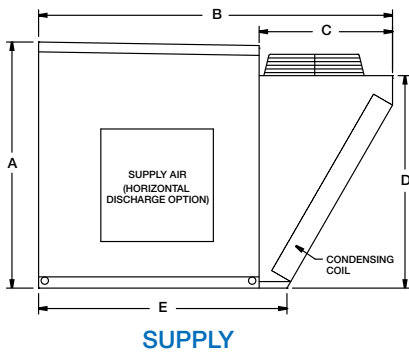
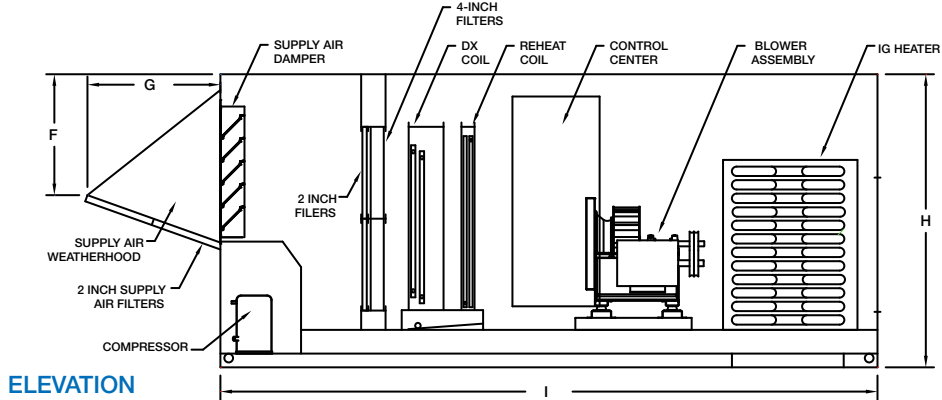
CFM	Static Pressure (in. wg)															
	1		2		3		4		5		6		7		8	
	RPM	BHP	RPM	BHP	RPM	BHP	RPM	BHP	RPM	BHP	RPM	BHP	RPM	BHP	RPM	BHP
8000	1087	2.08	1245	3.59	1389	5.22	1520	6.88	1644	8.62						
9000	1180	2.54	1329	4.18	1463	5.98	1587	7.81	1703	9.68	1815	11.6				

Packaged Rooftop

Performance and Dimensional Data

XMPX.

XMPX-H14, XMPX-H24



Unit Size	Dimensions							
	XMPX-H14				XMPX-H24			
Furnaces	Single Furnace							
A	54.3				67.2			
B	86.6				96.7			
C	34.0				36.4			
D	48.1				58.1			
E	62.6				67.9			
F	21.6				27.7			
G	23.5				30.5			
H	54.3				67.2			
I	132.4				150.8			
Nominal tonnage (tons)	5	6	8	10	11	13	16	18
Nominal weight (lbs)*	3096	3133	3253	3295	3300	3500	3700	3800

Dimensions are shown in inches.

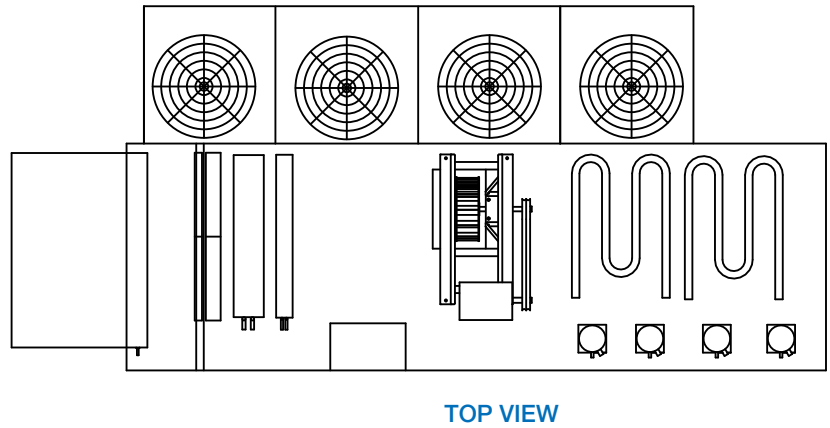
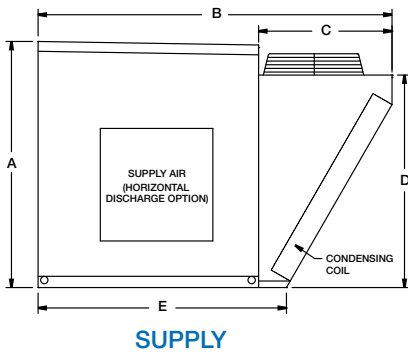
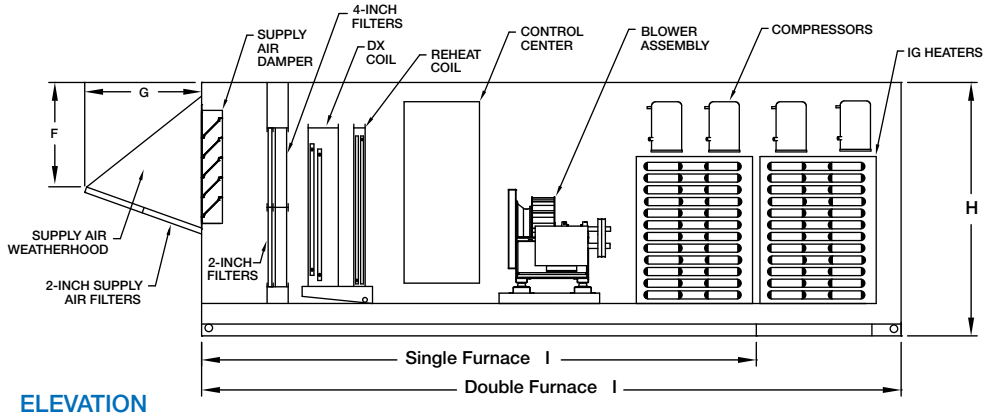
*Average unit weights are represented in this table. Actual weights will vary based on the unit configuration.

Packaged Rooftop

Performance and Dimensional Data

XMPX.

XMPX-H34



Unit Size	Dimensions							
	XMPX-H34 Single Furnace				XMPX-H34 Double Furnace			
Furnaces	Single Furnace				Double Furnace			
A	72.2				76.2			
B	97.7				97.7			
C	33.2				33.2			
D	72.7				72.7			
E	70.8				70.8			
F	38.8				38.8			
G	37.0				37.0			
H	76.2				76.2			
I	148.0				182.7			
Nominal tonnage (tons)	20	23	26	30	20	23	26	30
Nominal weight (lbs)*	4557	4731	4981	5053	5294	5468	5853	5926

Dimensions are shown in inches.

*Average unit weights are represented in this table. Actual weights will vary based on the unit configuration.