

# Untempered

## Performance and Dimensional Data

XKSFB, XKSFD.

### XKSFB-109-H15-01

CFM	OV		Total Static Pressure (in. wg)								
			0.125	0.250	0.375	0.500	0.750	1.000	1.250	1.500	2.000
1,300	1,413	RPM	593	678	762	842	987	1118	1236		
		BHP	0.15	0.19	0.23	0.27	0.35	0.43	0.52		
1,600	1,739	RPM	691	764	833	902	1032	1153	1265	1371	1561
		BHP	0.26	0.30	0.35	0.40	0.50	0.60	0.69	0.80	1.02
1,900	2,065	RPM	793	859	918	976	1091	1201	1303	1404	1588
		BHP	0.41	0.47	0.52	0.58	0.70	0.82	0.93	1.04	1.28
2,200	2,391	RPM	899	956	1011	1061	1161	1261	1356	1448	
		BHP	0.61	0.68	0.74	0.80	0.94	1.08	1.22	1.35	

### XKSFB-110-H15-01

CFM	OV		Total Static Pressure (in. wg)								
			0.125	0.250	0.375	0.500	0.750	1.000	1.250	1.500	2.000
2,400	2,123	RPM	741	781	834	885	977	1066	1153	1234	1392
		BHP	0.54	0.59	0.65	0.72	0.85	0.98	1.12	1.27	1.57
2,750	2,433	RPM	839	871	913	958	1046	1124	1202	1279	1423
		BHP	0.80	0.85	0.91	0.99	1.14	1.29	1.44	1.60	1.93
3,100	2,743	RPM	940	967	996	1036	1118	1192	1262	1330	
		BHP	1.13	1.18	1.24	1.32	1.50	1.67	1.84	2.01	
3,450	3,053	RPM	1041	1064	1089	1119	1191	1264			
		BHP	1.55	1.60	1.66	1.73	1.92	2.12			

### XKSFB-112-H15-01

CFM	OV		Total Static Pressure (in. wg)								
			0.125	0.250	0.375	0.500	0.750	1.000	1.250	1.500	2.000
2,700	1,731	RPM	507	561	617	671	768	860	941	1014	
		BHP	0.40	0.47	0.55	0.63	0.78	0.94	1.09	1.24	
3,300	2,115	RPM	596	641	687	733	821	902	979	1052	1183
		BHP	0.68	0.77	0.87	0.96	1.15	1.33	1.52	1.72	2.09
3,900	2,500	RPM	691	729	766	804	881	956	1027	1093	1221
		BHP	1.09	1.19	1.30	1.41	1.63	1.86	2.08	2.28	2.76
4,500	2,885	RPM	787	817	852	884	951	1017	1082	1146	
		BHP	1.64	1.74	1.87	2.00	2.25	2.51	2.77	3.03	

### XKSFB-115-H25-01

CFM	OV		Total Static Pressure (in. wg)								
			0.125	0.250	0.375	0.500	0.750	1.000	1.250	1.500	2.000
4,700	2,146	RPM	524	567	608	654	722	790	856	915	1031
		BHP	1.02	1.16	1.31	1.45	1.74	2.03	2.34	2.63	3.29
5,400	2,465	RPM	589	628	665	700	768	832	891	950	1056
		BHP	1.49	1.66	1.83	1.99	2.32	2.65	2.98	3.33	4.01
6,100	2,785	RPM	656	691	724	757	819	877	934	988	1090
		BHP	2.10	2.29	2.47	2.66	3.04	3.40	3.79	4.16	4.94
6,800	3,105	RPM	723	755	786	815	872	928	979	1031	
		BHP	2.86	3.07	3.28	3.48	3.91	4.33	4.72	5.15	

### XKSFB-118-H25-01

CFM	OV		Total Static Pressure (in. wg)								
			0.125	0.250	0.375	0.500	0.750	1.000	1.250	1.500	2.000
6,500	2,145	RPM	438	473	510	544	608	667	723	776	
		BHP	1.26	1.42	1.60	1.78	2.13	2.47	2.83	3.20	
7,500	2,475	RPM	495	526	557	588	646	702	754	802	897
		BHP	1.87	2.06	2.26	2.46	2.86	3.27	3.66	4.05	4.92
8,500	2,805	RPM	554	580	607	636	690	740	790	835	922
		BHP	2.66	2.87	3.09	3.32	3.79	4.22	4.69	5.14	6.04
9,500	3,135	RPM	614	637	661	685	735	783	827	872	954
		BHP	3.67	3.86	4.13	4.37	4.90	5.41	5.90	6.43	7.43

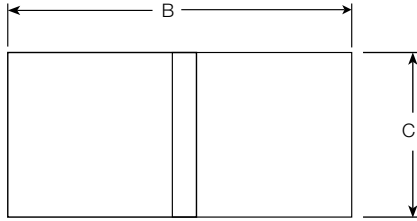
Power rating (BHP) does not include drive losses. Performance ratings do not include the effects of appurtenances in the airstream.

# Untempered

## Performance and Dimensional Data XKSFB. XKSFD.

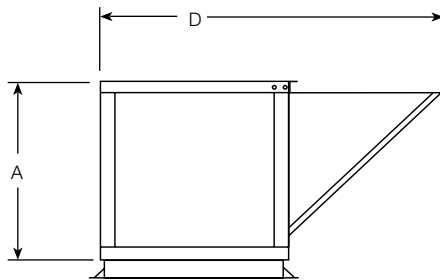
Dimensional Data - Stand Alone

Arrangement HZ and DB - Standard Weatherhood



Housing Size	A	B	C	D
H05	18.4	31.6	20.0	19.4
H08	18.4	31.8	36.9	19.4
H15	25.3	71.1	31.9	39.5
H25	34.0	81.4	40.3	47.4

All dimensions in inches.



### XKSFD-70-H05-01

RPM	AMPS	Watts	CFM/Static Pressure (in. wg)								
			0.000	0.100	0.125	0.250	0.375	0.500	0.625	0.750	1.000
1,600	3.77	405	813	783	776	741	707	671	637	603	527

### XKSFD-80-H08-01

RPM	AMPS	Watts	CFM/Static Pressure (in. wg)								
			0.000	0.100	0.125	0.250	0.375	0.500	0.625	0.750	1.000
1,610	8.32	830	1672	1617	1604	1542	1484	1427	1367	1306	1171

### XKSFD-90-H08-01

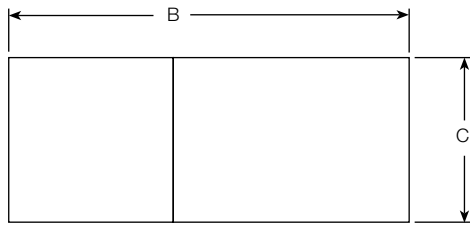
RPM	AMPS	Watts	CFM/Static Pressure (in. wg)								
			0.000	0.100	0.125	0.250	0.375	0.500	0.625	0.750	1.000
1,100	7.8	735	2249	2175	2156	2044	1900	1701	1424	1114	

Power rating (BHP) does not include drive losses. Performance ratings do not include the effects of appurtenances in the airstream.

# Untempered

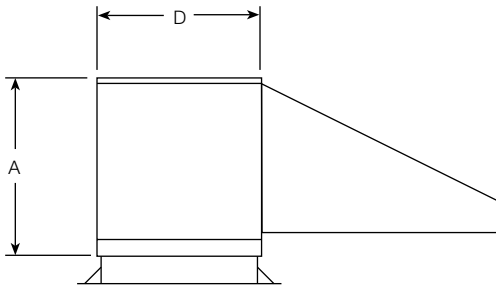
## Performance and Dimensional Data XKSFB. XKSFD.

### Arrangement DB3 - Standard Weatherhood

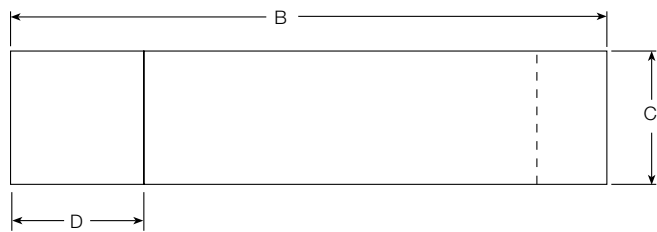


Housing Size	A	B	C	D
H05	14.5	41.0	20.0	21.3
H08	14.5	41.0	36.9	21.3
H15	22.3	80.4	31.9	40.8
H25	29.5	99.5	40.3	52.3

All dimensions in inches.

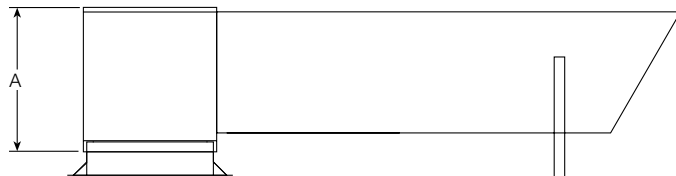


### Arrangement DBC - Extended Weatherhood



Housing Size	A	B	C	D
H05	14.5	171.1	20.0	21.3
H08	14.5	165.8	36.9	21.3
H15	22.3	145.3	31.9	40.8
H25	29.5	152.5	40.3	52.3

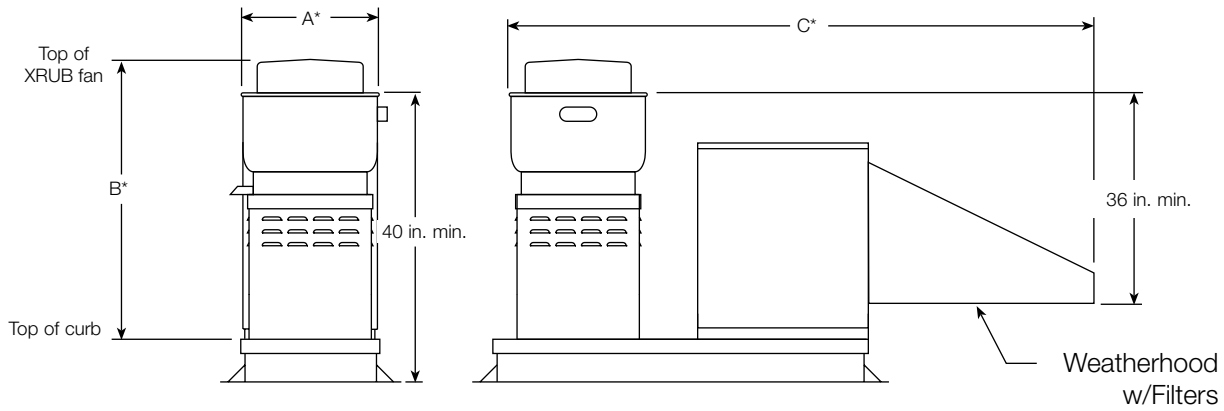
All dimensions in inches.



# Untempered

## Performance and Dimensional Data XKSFB. XKSFD.

### Arrangement DB3 - Standard Weatherhood

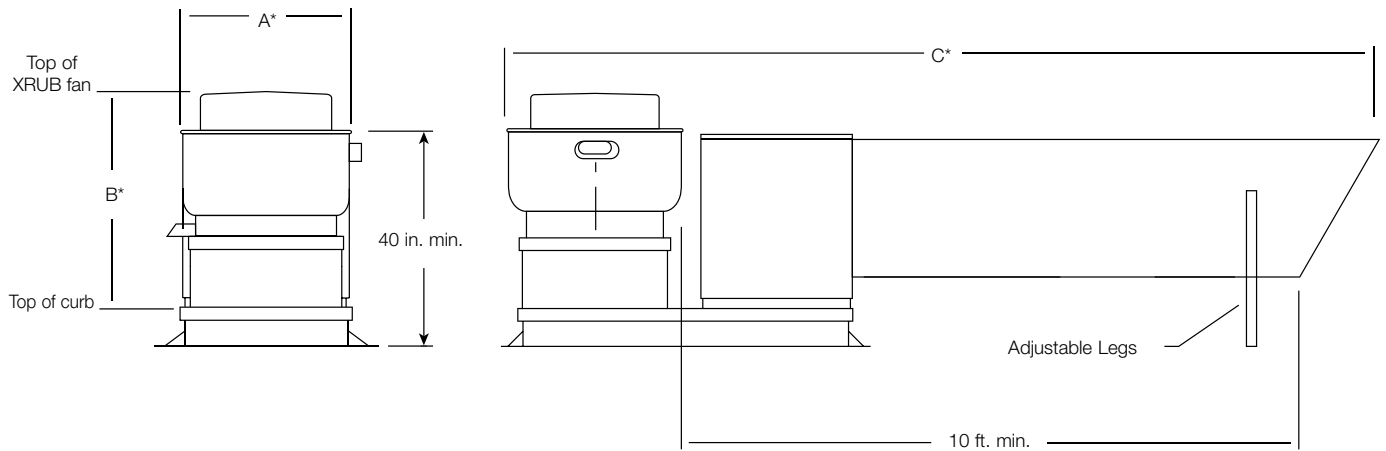


\* Maximum dimensions  
(dependent on XRUB fan)

Housing Size	A*	B*	C*
H05	25.0	50.0	70.1
H08	35.4	52.9	82.5
H15	42.9	55.0	131.8
H25	58.8	66.1	164.3

All dimensions in inches.

### Arrangement DBC - Extended Weatherhood



\* Maximum dimensions  
(dependent on XRUB fan)

Housing Size	A*	B*	C*
H05	25.0	50.0	200.3
H08	35.4	52.9	207.3
H15	42.9	55.0	196.6
H25	58.8	66.1	217.3

All dimensions in inches.