

Indirect Gas-Fired Performance and Dimensional Data XIG.

Furnace, Housing and Blower Availability

MBH	Housing	Blower Size				
		108	109	110	112	115
75	10	x	x			
100	10	x	x			
125	10	x	x			
150	10		x	x		
175	10		x	x	x	
200	20		x	x	x	
225	20		x	x	x	
250	20		x	x	x	x
300	20			x	x	x
325	30			x	x	x
350	30			x	x	x
400	30			x	x	x

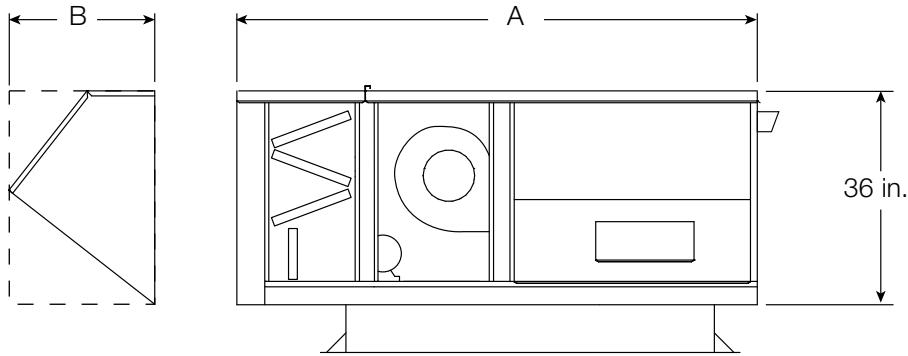
Air Performance Data

Blower Size	CFM		Total Static Pressure (in. wg)					
			0.75	1.00	1.25	1.50	1.75	2.00
108	800	RPM	1109	1216	1311	1399	-	-
		BHP	0.26	0.31	0.35	0.40	-	-
	1,200	RPM	1347	1445	1530	-	-	-
		BHP	0.59	0.68	0.75	-	-	-
109	1,500	RPM	1014	1140	1255	1361	1460	-
		BHP	0.45	0.54	0.63	0.73	0.84	-
	2,400	RPM	1216	1306	1397	1484	1569	1648
		BHP	1.1	1.3	1.4	1.6	1.7	1.9
110	2,000	RPM	912	1013	1110	1199	-	-
		BHP	0.59	0.71	0.08	0.10	-	-
	3,000	RPM	1097	1172	1244	1315	1386	1455
		BHP	1.4	1.6	1.7	1.9	2.1	2.2
112	2,600	RPM	761	853	934	1009	-	-
		BHP	0.7	0.9	1.0	1.2	-	-
	4,400	RPM	939	1006	1073	1137	1197	1254
		BHP	2.1	2.4	2.6	2.9	3.1	3.3
115	4,000	RPM	681	756	822	892	-	-
		BHP	1.3	1.5	1.8	2.1	-	-
	7,000	RPM	889	943	994	1044	1093	1138
		BHP	4.2	4.6	5.0	5.5	5.9	6.3

Note: The air performance data shown does not include internal static pressure losses due to items such as filters, dampers and furnaces. For exact air performance data based on specific unit configuration, contact your local Accurex representative.

Indirect Gas-Fired Performance and Dimensional Data XIG.

Arrangement HZ and DB



Housing Size	Max MBH
H10	175
H20	300
H30	400

Without Evaporative Cooling

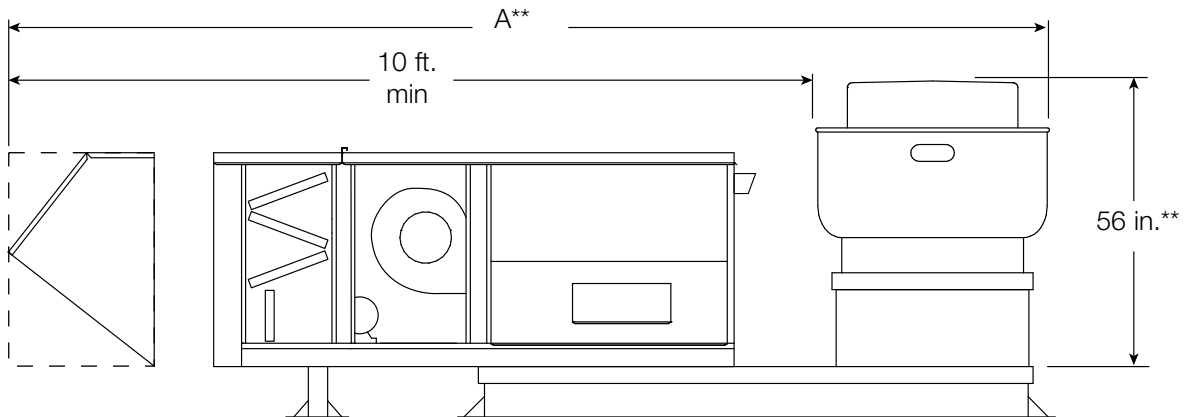
Housing Size	Outdoor Air	Intake	A	B	Width
10	100%	Standard	73.3	26.0	43.5
		Louvered		11.5	
20	100%	Standard	76.3	26.0	52.5
		Louvered		11.5	
30	100%	Standard	85.3	26.0	52.5
		Louvered		11.5	

With Evaporative Cooling

Housing Size	Outdoor Air	Evap* (CFM)	A	B	Width
10	100%	3500	73.3	36.0	52.5
		7000			68.8
20	100%	3500	76.3	36.0	52.5
		7000			68.8
30	100%	3500	85.3	36.0	52.5
		7000			68.8

* Maximum evaporative cooler air volume (CFM).

Arrangement DBC



Without Evaporative Cooling

Housing Size	Intake	A	Width
10	Standard	182.0	48.0
	Louvered	167.5	
20	Standard	183.0	52.5
	Louvered	168.5	
30	Standard	181.0	52.5
	Louvered	167.0	

With Evaporative Cooling

Housing Size	Evap* (CFM)	A	Width
Housing 10	3500	169.5	52.5
	7000		68.8
Housing 20	3500	182	52.5
	7000		68.8
Housing 30	3500	191	52.5
	7000		68.8

* Maximum evaporative cooler air volume (CFM).

** Arrangement DBC dimensions are based on the largest compatible XRUB fan. For specific dimensions, contact your local Accurex representative. All dimensions in inches.