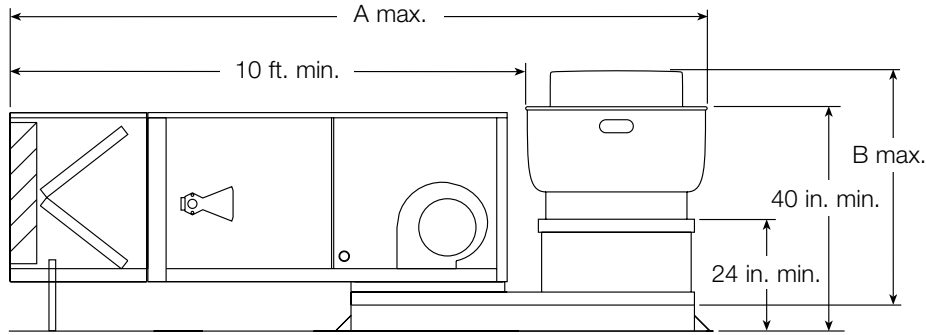


Direct Gas-Fired Performance and Dimensional Data XDG. XDGX.

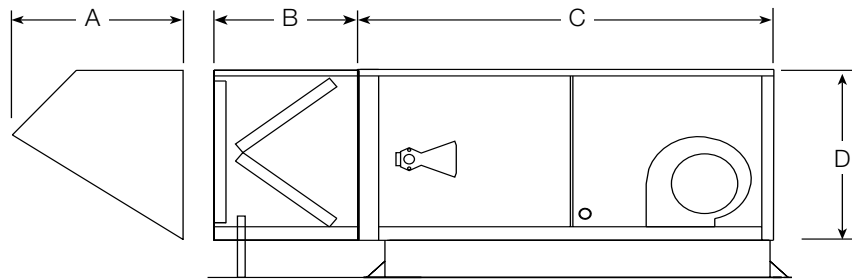
XDG Dimensions Combination Package



Housing Size	A*	B*	Width
H10	159.5	47	35.5
H20	172.8	57.8	50
H30	199	63.3	58.8

All dimensions in inches.
*Based on largest available XRUB exhaust fan.

Stand Alone



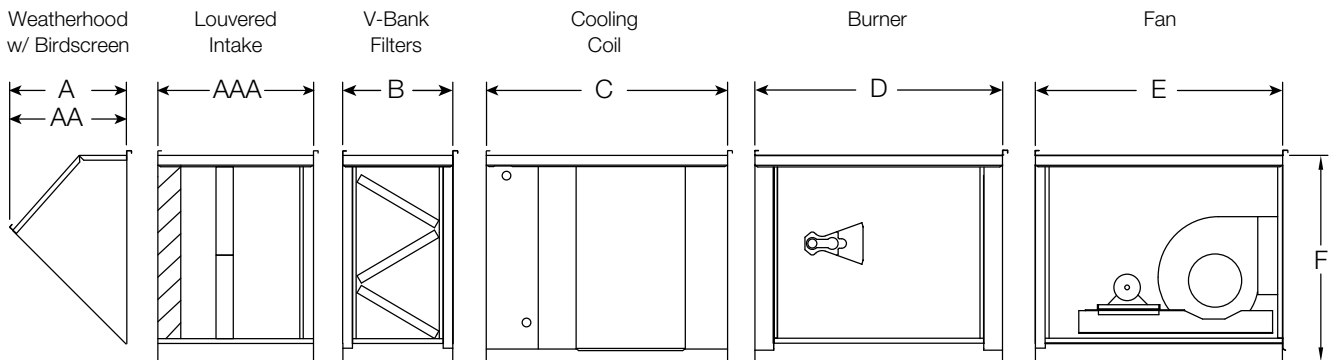
Housing Size	Max MBH
H10	400
H20	800
H30	1600

Housing Size	A			B*	C	D	Width
	Filtered	Louvered	Birdscreen*				
H10	31.8	27.5	26.3	27.8	78.3	33.8	28
H20	34.8	30.3	32.3	30.3	86.3	33.8	37
H30	65.3	33.3	28.3	33	101.8	42.5	48

All dimensions in inches.

*The birdscreen weatherhood requires an additional filter section. The additional filter section is optional with the filtered or louvered weatherhood.

XDGX Dimensions



*AA - Filtered Weatherhood

Housing Size	A	AA	AAA	B	C		D	E	F	Width
					Low	High				
H12	29.9	31.5	13.8	21.5	30	50.4	37.6	42.5	39	33.6
H22	45.6	47.1	16.9	24	30	69.4	52.3	52.2	44.9	44.1
H32	47.3	48.7	16.9	25.8	98		52.5	66	48.7	53.1

Direct Gas-Fired Performance and Dimensional Data XDGX.

Housing 12

Blower Size	CFM		Total Static Pressure (in. wg)					
			0.75	1.00	1.25	1.50	1.75	2.00
108	800	RPM	1109	1216	1311	1399	-	-
		BHP	0.26	0.31	0.35	0.40	-	-
	1,200	RPM	1347	1445	1530	-	-	-
		BHP	0.59	0.68	0.75	-	-	-
109	1,500	RPM	1014	1140	1255	1361	1460	-
		BHP	0.45	0.54	0.63	0.73	0.84	-
	2,400	RPM	1216	1306	1397	1484	1569	1648
		BHP	1.1	1.3	1.4	1.6	1.7	1.9
110	2,000	RPM	912	1013	1110	1199	-	-
		BHP	0.59	0.71	0.08	0.10	-	-
	3,000	RPM	1097	1172	1244	1315	1386	1455
		BHP	1.4	1.6	1.7	1.9	2.1	2.2

Housing 22

Blower Size	CFM		Total Static Pressure (in. wg)					
			0.75	1.00	1.25	1.50	1.75	2.00
112	2,600	RPM	761	853	934	1009	-	-
		BHP	0.7	0.9	1.0	1.2	-	-
	4,400	RPM	939	1006	1073	1137	1197	1254
		BHP	2.1	2.4	2.6	2.9	3.1	3.3
115	4,000	RPM	681	756	822	892	-	-
		BHP	1.3	1.5	1.8	2.1	-	-
	6,500	RPM	850	906	960	1013	1062	1110
		BHP	3.5	3.9	4.3	4.7	5.1	5.5

Housing 32

Blower Size	CFM		Total Static Pressure (in. wg)					
			0.75	1.00	1.25	1.50	1.75	2.00
118	6,500	RPM	609	668	724	777	-	-
		BHP	2.1	2.5	2.8	3.2	-	-
	9,500	RPM	736	783	827	872	914	954
		BHP	4.9	5.4	5.9	6.4	6.9	7.4
120	10,000	RPM	590	634	678	723	765	803
		BHP	4.0	4.5	5.0	5.6	6.1	6.6
	15,000	RPM	763	795	829	861	892	921
		BHP	10.9	11.6	12.3	13.1	13.8	14.5

Note: The air performance data shown does not include internal static pressure losses due to items such as filters, dampers, and coils. For exact air performance data based on specific unit configuration, contact your local Accurex representative.

Housing Size	Max MBH
H12	400
H22	1200
H32	2000