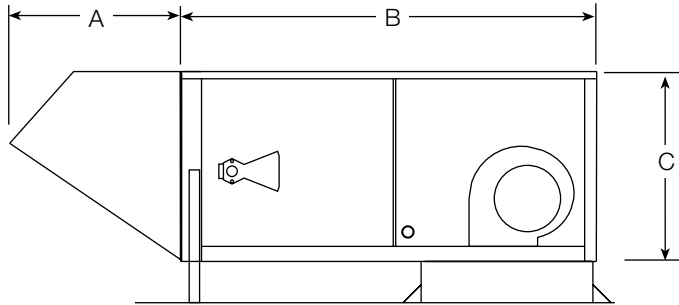


Direct Gas-Fired Performance and Dimensional Data XDGK.

Stand Alone - Arrangement DB



Housing Size	A	B	C	Width
H15	30.9	76.5	29.6	31.4
H25	48.0	88.0	39.0	49.5

All dimensions in inches.

Housing 15

Model	CFM		Total Static Pressure (in. wg.)					
			0.75	1.00	1.25	1.50	1.75	2.00
XDGK-109	1500	RPM	1014	1140	1255	1361	1460	
		BHP	0.45	0.54	0.63	0.73	0.84	
	2000	RPM	1113	1219	1321	1417	1510	1597
		BHP	0.77	0.9	1.02	1.14	1.26	1.37
	2500	RPM	1244	1329	1419	1503		
		BHP	1.25	1.39	1.56	1.72		
XDGK-110	2000	RPM	912	1013	1110	1199		
		BHP	0.59	0.71	0.84	0.96		
	2500	RPM	995	1082	1166	1247	1325	1402
		BHP	0.93	1.07	1.21	1.36	1.51	1.67
	3000	RPM	1097	1172	1244	1315	1386	1455
		BHP	1.39	1.55	1.72	1.88	2.05	2.23
XDGK-112	3000	RPM	794	879	960	1033	1101	
		BHP	0.95	1.12	1.3	1.47	1.63	
	3800	RPM	870	947	1018	1085	1152	1215
		BHP	1.54	1.76	1.97	2.18	2.41	2.64
	4500	RPM	951	1017	1082			
		BHP	2.25	2.51	2.77			

Housing 25

Model	CFM		Total Static Pressure (in. wg.)					
			0.75	1.00	1.25	1.50	1.75	2.00
XDGK-115	4000	RPM	681	756	822	892	956	1017
		BHP	1.28	1.54	1.78	2.10	2.42	2.75
	6500	RPM	850	906	960	1013		
		BHP	3.52	3.91	4.30	4.72		
XDGK-118	6000	RPM	591	652	711	764	819	872
		BHP	1.81	2.13	2.48	2.80	3.22	3.65
	8500	RPM	690	740	790			
		BHP	3.78	4.22	4.69			