

Direct Gas-Fired Performance and Dimensional Data XDG.

Housing 10

Model	CFM		Total Static Pressure (in. wg)						Maximum MBH
			0.75	1.00	1.25	1.50	1.75	2.00	
XDG-108	800	RPM	1109	1216	1311	1399			120
		BHP	0.26	0.31	0.35	0.40			
	1,000	RPM	1228	1325	1415	1500	1579		150
		BHP	0.41	0.47	0.53	0.59	0.65		
	1,200	RPM	1347	1445	1530				180
		BHP	0.59	0.68	0.75				
XDG-109	1,500	RPM	1014	1140	1255	1361	1460		225
		BHP	0.45	0.54	0.63	0.73	0.84		
	1,950	RPM	1102	1210	1312	1411	1504		295
		BHP	0.73	0.86	0.97	1.1	1.2		
	2,400	RPM	1216	1306	1397	1484			365
		BHP	1.1	1.3	1.4	1.6			
XDG-110	2,000	RPM	912	1013	1110	1199			305
		BHP	0.59	0.71	.084	.096			
	2,500	RPM	995	1082	1166	1247	1325		380
		BHP	0.93	1.1	1.2	1.4	1.5		
	3,000	RPM	1097	1172	1244	1315	1386		400
		BHP	1.4	1.6	1.7	1.9	2.1		

Housing 20

Model	CFM		Total Static Pressure (in. wg)						Maximum MBH
			0.75	1.00	1.25	1.50	1.75	2.00	
XDG-112	2,600	RPM	761	853	934	1009			395
		BHP	0.7	0.9	1.0	1.2			
	3,500	RPM	839	920	993	1065	1133	1195	530
		BHP	1.3	1.5	1.7	1.9	2.1	2.3	
	4,400	RPM	939	1006	1073	1137	1197		670
		BHP	2.1	2.4	2.6	2.9	3.1		
XDG-115	4,000	RPM	681	756	822	892			610
		BHP	1.3	1.5	1.8	2.1			
	5,250	RPM	757	823	884	943	998	1049	800
		BHP	2.2	2.5	2.8	3.2	3.5	3.8	
	6,500	RPM	850	906	960	1013	1062		800
		BHP	3.5	3.9	4.3	4.7	5.1		

Housing 30

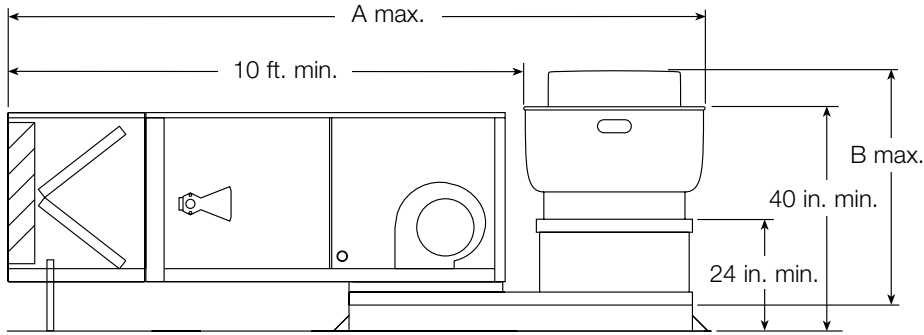
Model	CFM		Total Static Pressure (in. wg)						Maximum MBH
			0.75	1.00	1.25	1.50	1.75	2.00	
XDG-118	6,500	RPM	609	668	724	777			990
		BHP	2.1	2.5	2.8	3.2			
	8,000	RPM	668	721	772	819	864	910	1220
		BHP	3.3	3.7	4.2	4.6	5.0	5.5	
	9,500	RPM	736	783	827	872	914		1450
		BHP	4.9	5.4	5.9	6.4	6.9		
XDG-120	10,000	RPM	590	634	678	723	765	803	1525
		BHP	4.0	4.5	5.0	5.6	6.1	6.6	
	12,500	RPM	672	711	748	784	820	855	1600
		BHP	6.9	7.5	8.1	8.7	9.3	10.0	
	15,000	RPM	763	795	829	861	892	921	1600
		BHP	10.9	11.6	12.3	13.1	13.8	14.5	

Note: The air performance data shown does not include internal static pressure losses due to items such as filters, dampers, and coils. For exact air performance data based on specific unit configuration, contact your local Accurex representative.

Direct Gas-Fired Performance and Dimensional Data XDG. XDGX.

XDG Dimensions

Combination Package

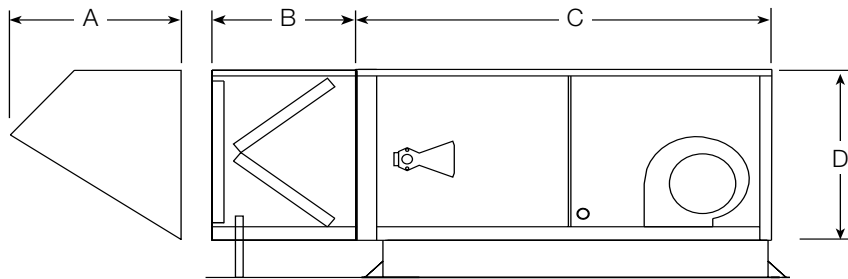


Housing Size	A*	B*	Width
H10	159.5	47	35.5
H20	172.8	57.8	50
H30	199	63.3	58.8

All dimensions in inches.

*Based on largest available XRUB exhaust fan.

Stand Alone



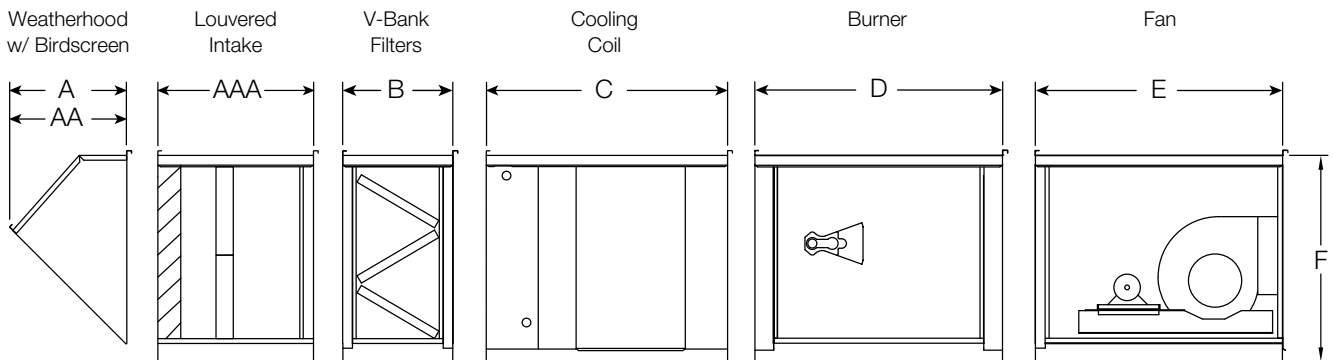
Housing Size	Max MBH
H10	400
H20	800
H30	1600

Housing Size	A			B*	C	D	Width
	Filtered	Louvered	Birdscreen*				
H10	31.8	27.5	26.3	27.8	78.3	33.8	28
H20	34.8	30.3	32.3	30.3	86.3	33.8	37
H30	65.3	33.3	28.3	33	101.8	42.5	48

All dimensions in inches.

*The birdscreen weatherhood requires an additional filter section. The additional filter section is optional with the filtered or louvered weatherhood.

XDGX Dimensions



*AA - Filtered Weatherhood

Housing Size	A	AA	AAA	B	C		D	E	F	Width
					Low	High				
H12	29.9	31.5	13.8	21.5	30	50.4	37.6	42.5	39	33.6
H22	45.6	47.1	16.9	24	30	69.4	52.3	52.2	44.9	44.1
H32	47.3	48.7	16.9	25.8	98		52.5	66	48.7	53.1