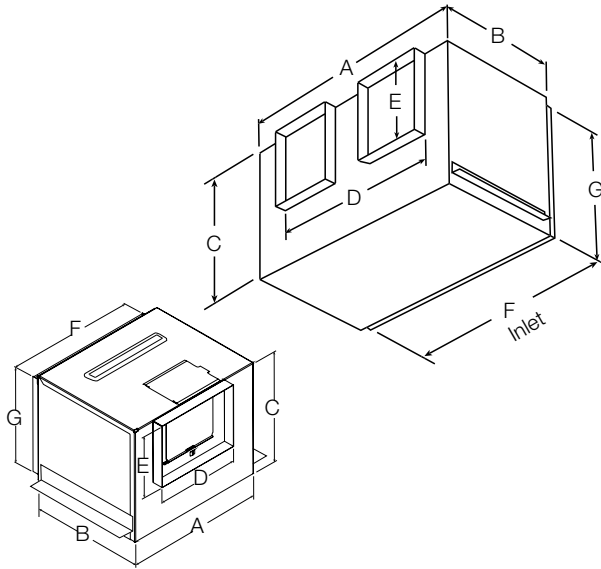


Ceiling and Cabinet Fans

Performance and Dimensional Data

XIR-A



Inlet and outlet connections widths are 1 inch - Mounting bracket width is 1½ inch
All dimensions are in inches.

Model	A	B	C	D	E	F	G	Wt.
110, 125, 190	13¼	10⅝	10½	8	6	12	9¼	16
200, 250, 290, 390	14	11⅞	11¼	8	8	12⅞	10	23
410, 510	18	14⅞	14½	8	8	16⅞	13¼	36
700	23⅞	11⅞	11⅞	19½	8	22⅞	10½	34
710, 780	18	14⅞	14½	10	8	16⅞	13¼	36
900, 1050, 1410, 1550	23¾	14⅞	14½	18¾	8	22⅞	13¼	59
1750, 2150	35	14¾	14¾	28	6	32¾	13	68
3600	45½	16½	16½	40	11	43¼	14⅝	122

Model	RPM	amps	Watts	cfm/Static Pressure (in. wg)										
				0.000	0.100	0.125	0.250	0.375	0.500	0.625	0.750	1.000		
^{4,6} XIR-A110	950	0.62	51	cfm	124	112	110	102	77					
				sones	1.1	1.1	1.1	1.3	1.3					
⁶ XIR-A125	1100	0.63	55	cfm	138	126	124	113	91					
				sones	1.4	1.4	1.3	1.4	1.7					
^{4,6} XIR-A190	1400	1.10	100	cfm	215	202	198	180	159	121				
				sones	2.3	2.0	2.2	2.7	2.9	3.0				
XIR-A200	900	0.43	48	cfm	254	230	225	203	177	145	109	70		
				sones	0.8	0.7	0.8	1.3	1.5	1.9	2.2	2.1		
XIR-A250	1000	0.79	83	cfm	266	246	241	221	205	187	165	132		
				sones	1.3	1.5	1.5	2.3	3.3	3.4	3.2	3.0		
XIR-A290	1050	0.71	80	cfm	318	299	292	265	248	229	201	144		
				sones	1.6	1.7	1.8	2.6	3.3	4.0	3.7	3.4		
⁴ XIR-A390	1350	1.33	144	cfm	412	400	397	382	363	339	324	309		
				sones	2.8	2.7	2.8	3.2	3.7	4.7	5.5	6.5		
XIR-A410	1000	1.87	139	cfm	447	411	403	364	316	217				
				sones	2.2	2.1	2.2	2.5	2.7	2.7				
XIR-A510	1070	3.11	217	cfm	545	514	506	464	405	324				
				sones	3.1	2.9	2.8	2.8	2.7	3.1				
XIR-A700	1100	3.20	350	cfm	766	755	752	739	726	702	678	635	418	
				sones	2.6	2.5	2.4	2.4	2.5	2.6	2.7	3.0	4.9	
XIR-A710	1080	4.40	325	cfm	737	698	688	635	566	474	334			
				sones	3.2	3.3	3.2	3.3	2.7	2.5	2.7			
⁴ XIR-A780	0600	3.77	405	cfm	813	783	776	741	707	671	637	603	527	
				sones	3.8	3.6	3.6	3.5	3.4	3.5	3.6	3.8	4.3	
XIR-A900	950	4.87	328	cfm	908	852	840	782	714	631				
				sones	1.9	2.0	2.0	2.3	2.6	2.9				
⁴ XIR-A1050	1095	6.65	455	cfm	1182	1110	1093	1013	922	832	743			
				sones	3.5	3.2	3.1	3.1	3.4	3.4	3.4			
XIR-A1410	1450	7.80	822	cfm	1584	1543	1533	1483	1439	1395	1345	1293	1181	
				sones	4.2	4.0	4.0	4.1	4.2	4.3	4.5	4.6	5.0	
⁴ XIR-A1550	1610	8.32	830	cfm	1672	1617	1604	1542	1484	1427	1367	1306	1171	
				sones	5.8	5.4	5.3	5.4	5.4	5.1	5.1	5.2	5.8	
XIR-A1750	1130	6.60	550	cfm	1842	1767	1749	1619	1463	1283	1032	771		
				sones	6.4	6.0	6.0	5.5	5.3	4.7	4.1	3.8		
XIR-A2150	1100	7.80	735	cfm	2249	2175	2156	2044	1900	1701	1424	1114		
				sones	6.0	5.8	5.8	5.2	5.0	4.6	3.8	3.4		
XIR-A3600	1100	7.10	1330	cfm	3778	3653	3622	3460	3280	3091	2844	2551	1750	
				sones	6.4	6.1	6.1	5.7	5.4	5.1	4.9	4.7	4.3	

⁴ Units available with 50 Hz motors

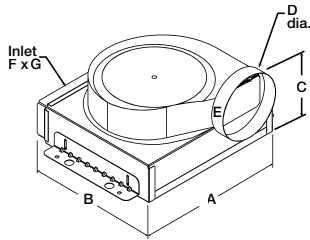
⁶ Available with 277 volt motor

Performance certified is for Model XIR inline for installation Type D Ducted inlet, Ducted outlet. Performance ratings include the effects of a backdraft damper. Speed (RPM) shown is nominal. Performance is based on actual speed of test. The sound ratings shown are loudness values in fan sones at 5 ft. (1.5 m) from the test inlet duct in a hemispherical free field calculated per AMCA Standard 301. Values are for installation Type D Ducted inlet fan some levels. Ratings do not include the effects of duct end correction. Ratings are based on 10 ft. (3.0 m) of insulated duct. The AMCA Certified Ratings Seal applies to air performance only.

Ceiling and Cabinet Fans

Performance and Dimensional Data

XIR-B



Outlet connection width is 1 inch - Mounting bracket width is 1½ inch
All dimensions are in inches.

Model	A	B	C	D	E	F	G	Wt.
110, 150, 200	13 ⁷ / ₈	11 ¹ / ₂	7 ¹⁵ / ₁₆	6	1 ¹ / ₄	10 ¹ / ₄	3 ³ / ₄	10 ¹ / ₄

Model	RPM	amps	Watts		cfm/Static Pressure (in. wg)							
					0.000	0.100	0.125	0.250	0.375	0.500	0.625	0.750
^{4,6} XIR-B110	950	1.14	80	cfm	103	100	99	98	97	96	93	86
				sones	2.0	2.0	2.1	2.3	2.6	2.7	3.1	3.3
^{4,6} XIR-B150	1050	1.70	129	cfm	151	149	149	148	147	145	142	134
				sones	2.5	2.7	2.7	2.9	3.1	3.4	3.6	3.9
^{4,6} XIR-B200	1100	2.20	173	cfm	186	184	183	182	180	178	175	169
				sones	3.4	3.6	3.7	4.0	4.1	4.1	4.3	4.5

⁴ Units available with 50 Hz motors

⁶ Available with 277 volt motor

Performance certified is for Model XIR inline for installation Type D Ducted inlet, Ducted outlet. Performance ratings include the effects of a backdraft damper. Speed (RPM) shown is nominal. Performance is based on actual speed of test. The sound ratings shown are loudness values in fan sones at 5 ft. (1.5 m) from the test inlet duct in a hemispherical free field calculated per AMCA Standard 301. Values are for installation Type D Ducted inlet fan sone levels. Ratings do not include the effects of duct end correction. Ratings are based on 10 ft. (3.0 m) of insulated duct. The AMCA Certified Ratings Seal applies to air performance only.