



Models XCR and XIR are listed electric fans (UL/C-UL US 507). Ceiling Exhaust Fans are also UL Listed for above bathtub/shower with GFCI branch protected circuit. File no. E33599.



* UL is optional and must be specified.



Accurex, LLC certifies that the XCR models shown herein are licensed to bear the AMCA seal. The ratings shown are based on tests and procedures performed in accordance with AMCA Publication 211 and AMCA Publication 311 and comply with the requirements of the AMCA Certified Ratings Program.



Accurex, LLC certifies that the XIR models shown herein are licensed to bear the AMCA seal. The ratings shown are based on tests and procedures performed in accordance with AMCA Publication 211 and comply with the requirements of the AMCA Certified Ratings Program.

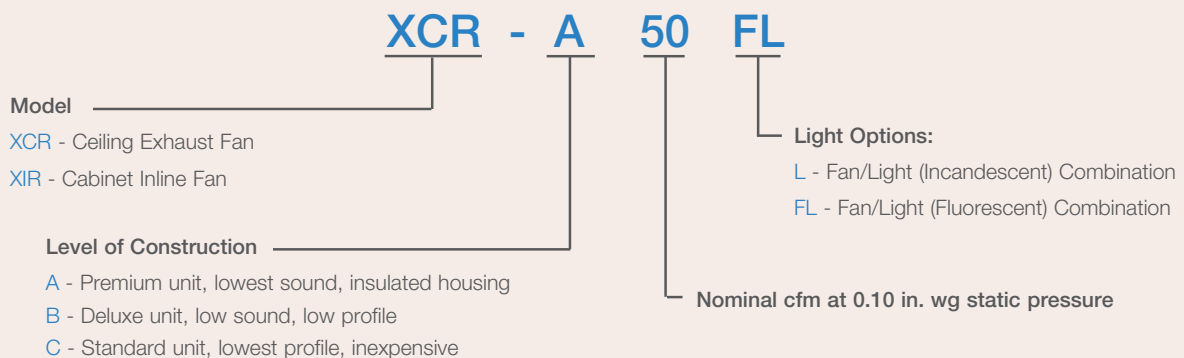
Ceiling and Cabinet Fans Model Overview

Great things come in small packages, as do our ceiling fans (model XCR) and cabinet fans (model XIR). Be assured when you buy any Accurex product, you are getting a quality product at a competitive price. We offer one of the most comprehensive ceiling and cabinet exhaust fan line in the commercial market. In fact, we guarantee our ceiling and cabinet fans with a three (3) year warranty. You will also receive these additional benefits with an Accurex ceiling and cabinet exhaust fan:

- UL Listed electric
- Low sound and compact size
- Competitive price
- Broadest performance selections in the industry

Model Number Code

The Model Number Code is designed to completely identify the fan. The correct code letters must be specified to designate belt or direct drive, and roof or wall mounted configurations. The remainder of the model number is determined by the size and performance.



Ceiling and Cabinet Fans

Model Comparison

XCR. XIR.

XCR fans are designed for ceiling mounted applications. XIR fans are designed for inline remote mounted applications.

XCR-A

The XCR-A is a premium ceiling fan. It is in the top of its class when it comes to meeting sound requirements.

- Sound levels as low as 0.7 sones
- Profile as low as 10½ inches (26.67 cm)
- Air volume as high as 1,600 cfm (2,718 m³/hr)
- UL Listed for above bathtub/shower with GFCI branch protected circuit



XCR-B

The XCR-B is a deluxe ceiling fan compact enough for almost any application. If quiet is what you are after, this fan will accommodate your needs.

- Sound levels as low as 1.7 sones
- Profile as low as 6¹⁵/₁₆ inches (17.62 cm)
- Air volume as high as 200 cfm (340 m³/hr)
- UL Listed for above bathtub/shower with GFCI branch protected circuit



XCR-C

The XCR-C is our economy ceiling fan designed for light commercial applications.

- Sound levels as low as 2.9 sones
- Profile as low as 3⁵/₁₆ inches (9.21 cm)
- Air volume as high as 50 cfm (85 m³/hr)
- UL Listed for above bathtub/shower with GFCI branch protected circuit



XIR-A

The XIR-A is a premium inline fan. It outperforms the competition and is preferred by specifying engineers.

- Sound levels as low as 0.8 sones
- Profile as low as 10½ inches (26.67 cm)
- Air volume as high as 3,800 cfm (6,456 m³/hr)
- UL/C-UL US Listed



XIR-B

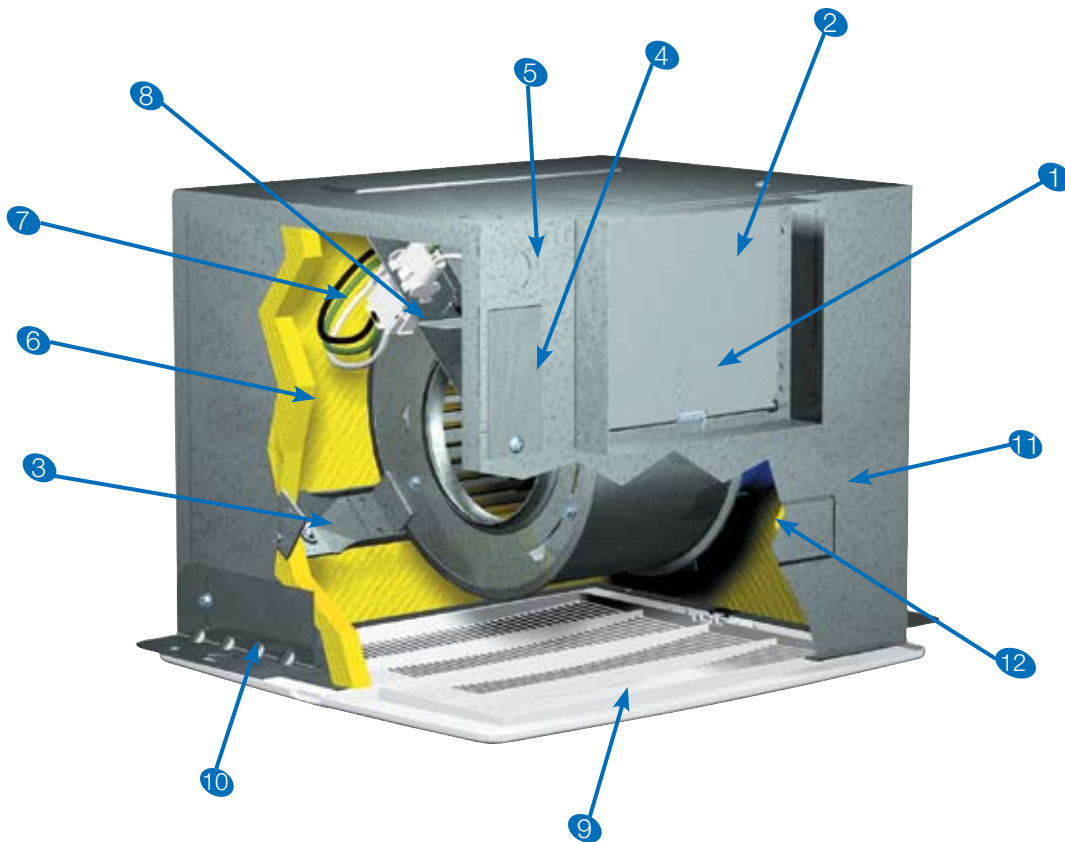
The XIR-B is a compact deluxe inline fan. It is designed to fit in small remote quarters.

- Sound levels as low as 2.0 sones
- Profiles as low as 6¹⁵/₁₆ inches (17.62 cm)
- Air volume as high as 190 cfm (323 m³/hr)
- UL/C-UL US Listed



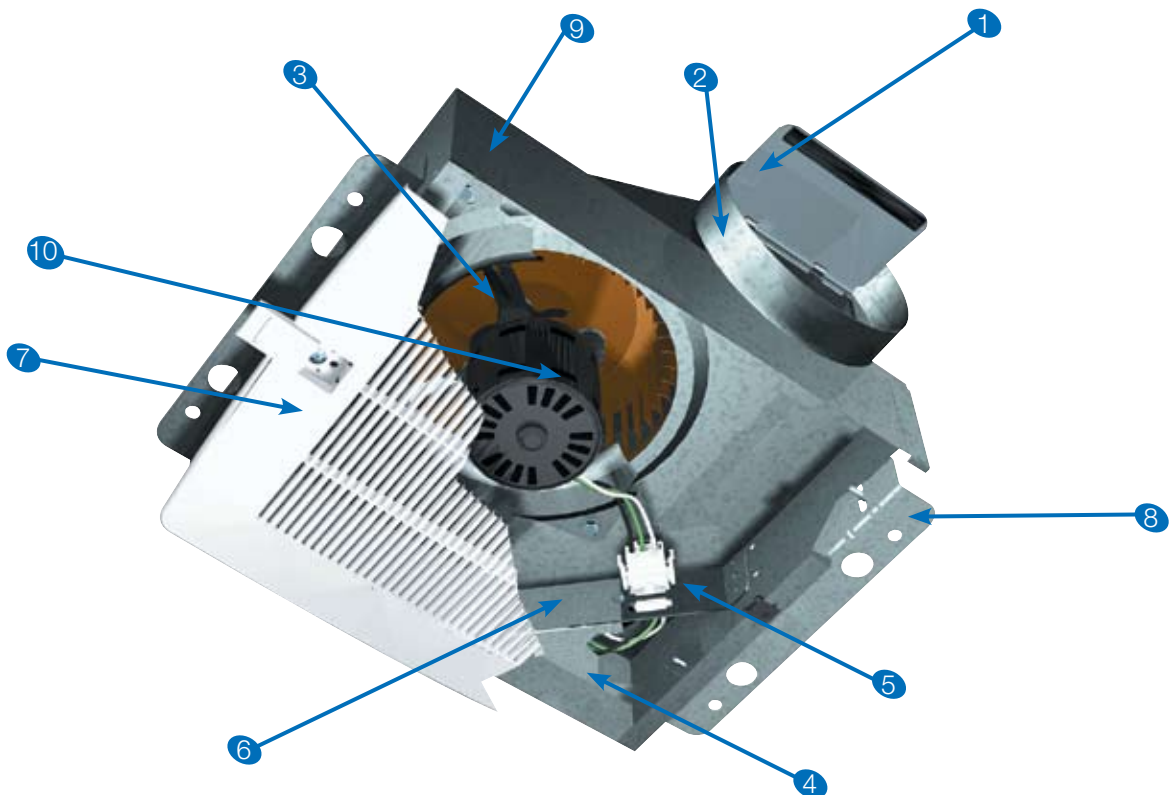
Ceiling and Cabinet Fans Standard Construction Features XCR-A.

- 1 **Spring Loaded Aluminum Backdraft Damper** – Eliminates rattling or unwanted backdrafts
- 2 **Outlet** – Square and round outlets are field rotatable from, horizontal to vertical discharge
- 3 **Power Assembly** – Removes quickly for maintenance, or conversion from horizontal to vertical discharge
- 4 **External Electrical Access** – Eliminates removing motor pack, saving installation time
- 5 **Electrical Knockouts (horizontal or vertical)** – Eliminates drilling holes
- 6 **Acoustic Insulation** – Absorbs sound
- 7 **Disconnect** – Servicing is quick and safe
- 8 **Electrical Junction Box** – Large for easy wiring
- 9 **Attractive Designer Grille** – Concealed attachment screws securely fasten grille to housing, for quiet and rattle-free operation
- 10 **Mounting Brackets** – Fully adjustable for multiple installation conditions
- 11 **Housing** – Embossed galvanized steel for rigidity
- 12 **Motors** – All motors are compatible for use with speed controls and have thermal overload protection. Domestic and international applications are available.
 - 50 cycle, 220v, and 240v options
 - 60 cycle, 115v, 208v, 220v, 230v, and 277v options



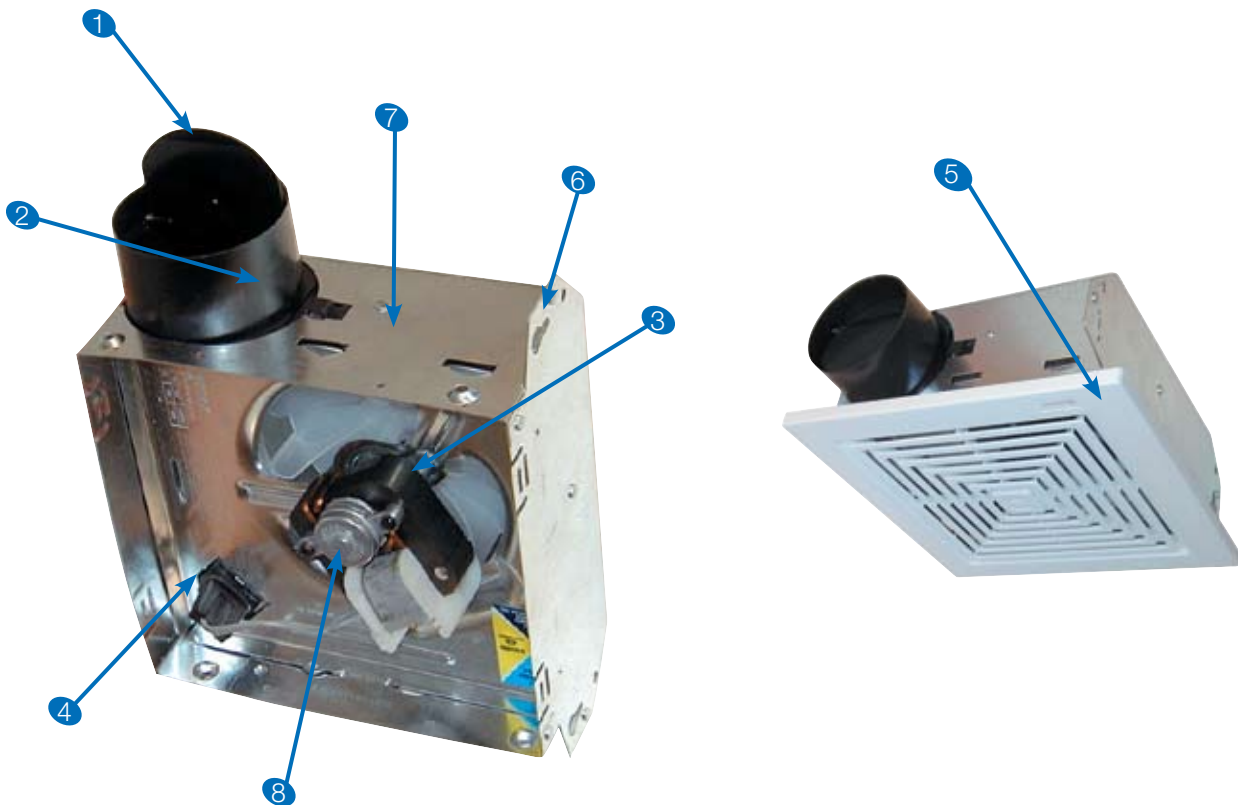
Ceiling and Cabinet Fans Standard Construction Features XCR-B.

- 1 **Aluminum Backdraft Damper** – Prevents unwanted backdrafts
- 2 **Round Standard Outlet (4 or 6 in.)** – Versatile for quick and easy connections
- 3 **Power Assembly** – Removes quickly for maintenance
- 4 **Electrical Access (vertical)** – Eliminates drilling holes
- 5 **Disconnect** – Servicing is quick and safe
- 6 **Electrical Junction Box** – Large for easy wiring
- 7 **Attractive Designer Grille** – Concealed attachment screws securely fasten grille to housing, for quiet and rattle-free operation
- 8 **Mounting Brackets** – Fully adjustable for multiple installation types
- 9 **Housing** – Embossed galvanized steel for rigidity and low profile for height restricted areas
- 10 **Motors** – All motors are compatible for use with speed controls and have thermal overload protection. Domestic and international applications are available.
 - 50 cycle, 220v, and 240v options
 - 60 cycle, 115v, 208v, 220v, 230v, and 277v options



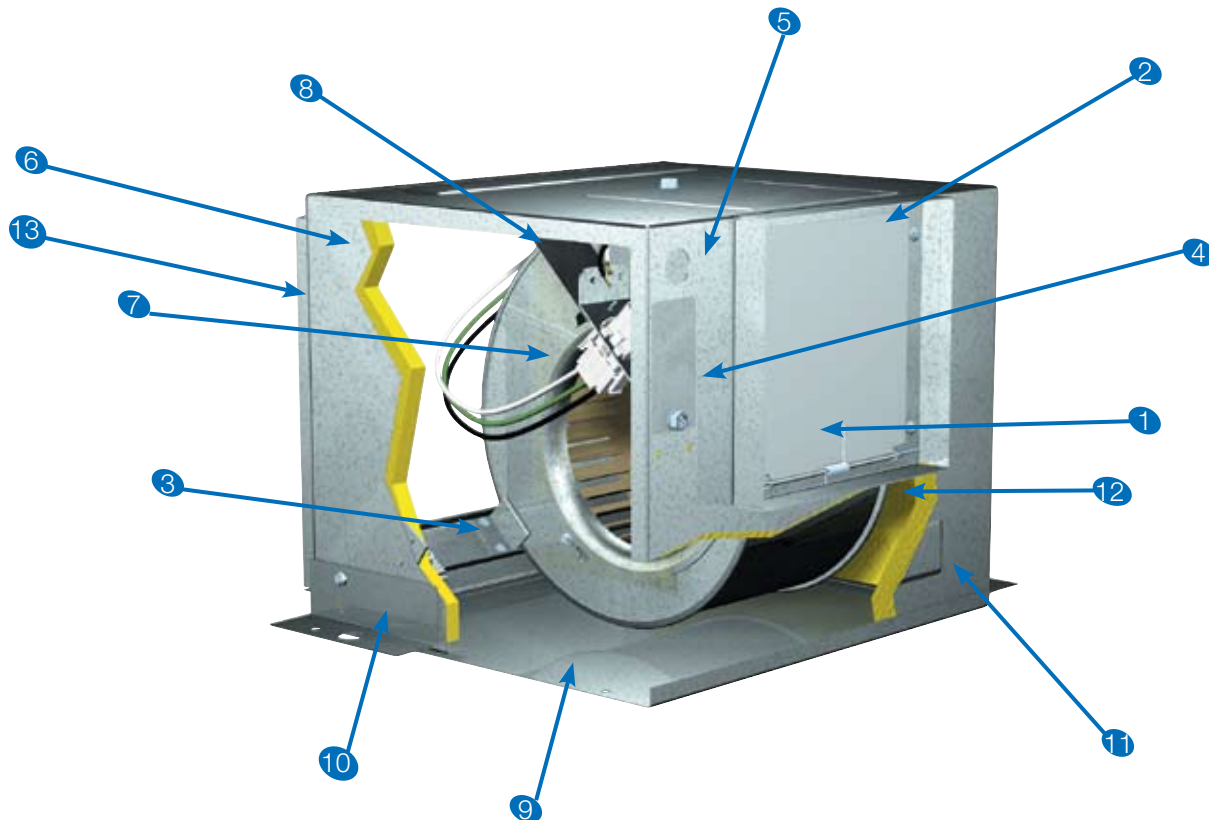
Ceiling and Cabinet Fans Standard Construction Features XCR-C.

- 1 **Plastic Backdraft Damper** - Prevents unwanted backdrafts
- 2 **Round Outlet** - 3-inch diameter allows quick and easy connections
- 3 **Power Assembly** - Removes quickly for maintenance
- 4 **Disconnect** - Servicing is quick and safe
- 5 **Polymeric Grille** - Quickly snaps into place
- 6 **Mounting Brackets** - Adjustable for several installation types
- 7 **Housing** - Galvanized steel for rigidity and low profile for height-restricted areas
- 8 **Motors** - Compatible for use with speed controls. Thermal overload protection
 - 60 cycle, 115v



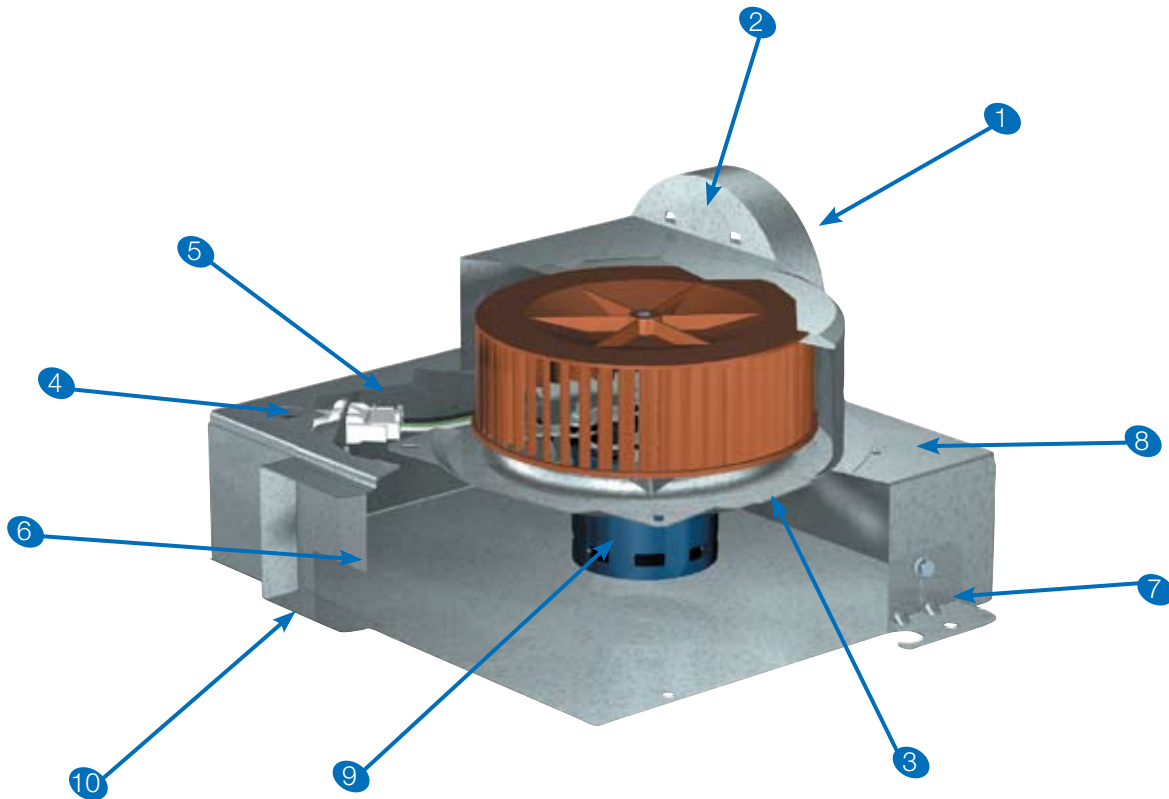
Ceiling and Cabinet Fans Standard Construction Features XIR-A.

- 1 **Spring Loaded Aluminum Backdraft Damper** – Eliminates rattling or unwanted backdrafts
- 2 **Outlet** – Square and round outlets are field rotatable from horizontal to vertical discharge
- 3 **Power Assembly** – Removes quickly for maintenance, or conversion from horizontal to vertical discharge
- 4 **External Electrical Access** – Eliminates removing motor pack, saving installation time
- 5 **Electrical Knockouts (horizontal or vertical)** – Eliminates drilling holes
- 6 **Acoustic Insulation** – Absorbs sound
- 7 **Disconnect** – Servicing is quick and safe
- 8 **Electrical Junction Box** – Large for easy wiring
- 9 **Access Panel** – Gain easy access to internal components once installed
- 10 **Mounting Brackets** – Fully adjustable for multiple installation conditions
- 11 **Housing** – Embossed galvanized steel for rigidity
- 12 **Motors** – All motors are compatible for use with speed controls and have thermal overload protection. Domestic and international applications are available.
 - 50 cycle, 220v, and 240v options
 - 60 cycle, 115v, 208v, 220v, 230v, and 277v options
- 13 **Inlet Duct Collar** – Allows for the ductwork to slide over the duct collar to be fastened for faster and easier installation of the ductwork.



Ceiling and Cabinet Fans Standard Construction Features XIR-B.

- 1 **Aluminum Backdraft Damper** – Prevents unwanted backdrafts
- 2 **Round Standard Outlet (6 in.)** – Versatile for quick and easy connections
- 3 **Power Assembly** – Removes quickly for maintenance
- 4 **Electrical Access (vertical)** – Eliminates drilling holes
- 5 **Disconnect** – Servicing is quick and safe
- 6 **Electrical Junction Box** – Large for easy wiring
- 7 **Mounting Brackets** – Fully adjustable for multiple installation types
- 8 **Housing** – Embossed galvanized steel for rigidity and low profile for height-restricted areas
- 9 **Motors** – All motors are compatible for use with speed controls and have thermal overload protection. Domestic and international applications are available.
 - 50 cycle, 220v, and 240v options
 - 60 cycle, 115v, 208v, 220v, 230v, and 277v options
- 10 **Inlet Duct Collar** – Allows for the ductwork to slide over the duct collar to be fastened for faster and easier installation of the ductwork.



Ceiling and Cabinet Fans

Options and Accessories

XCR. XIR.

Grille Options –

Designer - Standard Grille
 Decorative - Lighted and non-lighted
 Aluminum - White enamel finish
 Stainless Steel - Polished stainless steel finish

Round Duct Connection –

Standard - Sizes A50, A70, and A90



Round Duct Adapter –

Optional - Sizes A110 through A510



Exclusive Electrical Wiring Feature –

Accurex XCR-A models are the only fans of this type with an electrical access cover located on the housing exterior. This feature permits external wiring without removing the power assembly, saving installation time and cost.

Vertical Discharge –

Exhaust outlet duct may be installed in the optional vertical position. The power assembly must be rotated to match the duct adapter position.

Double-Wide Fans –

Available for applications requiring 700 cfm or greater. Double-wide fans have two double-width forward curved wheels, which are housed in separate scrolls, and driven by a single motor.



Contractor 4 Paks –

Save installation time and labor by installing the housing first, then installing the internal components after the sheetrocking, plastering and finishing is done.

- Housings are packaged in one box, power assembly and grille are packaged in another box
- Components are shipped to coincide with the phase of your project



Light Options

Accurex's fan/light combination includes a prismatic or frosted lens, and compact fluorescent or incandescent lamps. Our unique light box is manufactured with a reflective material to increase the light given off by either type of lamp. *UL Listed for above bathtub/showers with GFCI branch protected circuit.*

Available on Sizes 50 - 125

Prismatic Lens



The prismatic lens design provides approximately 25% more light than a traditional frosted lens. The lens may be easily removed to replace light bulbs.

Frosted Lens



The frosted lens option is a traditional design which lets approximately 80% of light through the lens. The lens may be easily removed to replace light bulbs.

Compact Fluorescent Lamps (CFL)



- Quick start bulbs
- Reflective light box
- Produce 90% less heat
- Lower energy costs
- Two-13 watt CFL bulbs equals 100 watts of incandescent light (included)

Incandescent Lamps



- Dimmable
- Reflective light box
- Low first-cost light
- One bulb provides up to 100 watts of light (by others)

Speed Controls

Speed controls may be used on model XCR and XIR fans for manual adjustment of the fan's performance (for final system balancing) or to control the fan's output in confined spaces, such as conference or meeting rooms. The fan can be adjusted to 60% of design airflow with a speed control. This reduction in airflow and fan speed is also accompanied by a reduction in noise level. Solid state speed controls are available for a range of applications up to 15 amps. Speed controls can be used to operate more than one fan if the combined total amperage of the fans does not exceed the control rating.

Model 5WSSC - For use with shaded pole and PSC motors.

Available shipped loose or mounted internal or external.

- Rated for 115 - 127v, 5 amp
- UL Listed
- Require a 2x4 handy box

Model 5W240 - For use with shaded pole and PSC motors.

Available shipped loose or mounted internal or external.

- Rated for 220 - 240v, 5 amp
- UL Listed
- Requires 2x4 handy box

Model 5W277 - For use with shaded pole and PSC motors.

Available shipped loose or mounted internal or external.

- Rated for 277v, 5 amp
- UL Listed
- Requires 2x4 handy box

Model 8WSSC - For use with shaded pole and PSC motors.

Available shipped loose or mounted internal or external.

- Rated for 220 - 240v, 8 amp
- UL Listed
- Requires 2x4 handy box

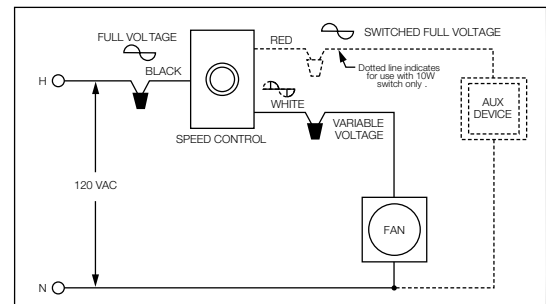
Model 10WSSC - For use with shaded pole and PSC motors. Available shipped loose or mounted internal or external.

- Rated for 115 - 127v, 10 amp
- UL Listed
- Requires 4x4 handy box

Model 15WSSC - For use with shaded pole and PSC motors.

Available shipped loose or mounted internal or external.

- Rated for 115 - 127v, 15 amp
- UL Listed
- Requires 4x4 handy box



Switches

Switches may be used on models XCR and XIR fans to enable manual control of your fan or fan/light combination. There are several options to fit your application.



NEMA-1 - Single pole rocker switch assembly.

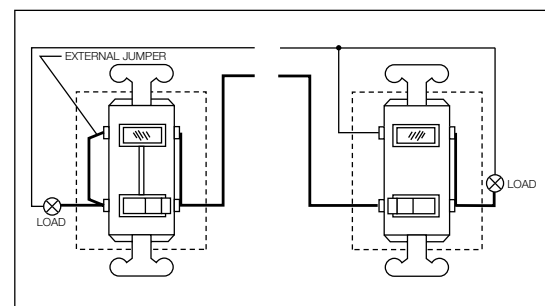
- Rated for 115v, 15 amp, 1/2 hp
- UL Listed

Model MS-16 - Single pole rocker switch assembly with cover and pilot light.

- Rated for 115v, 15 amp, 1/2 hp
- UL Listed

NEMA-1 - Two pole rocker switch assembly.

- Rated for 220/230/240/277v, 20 amp, 2 hp
- UL Listed
- Requires a 2x4 handy box



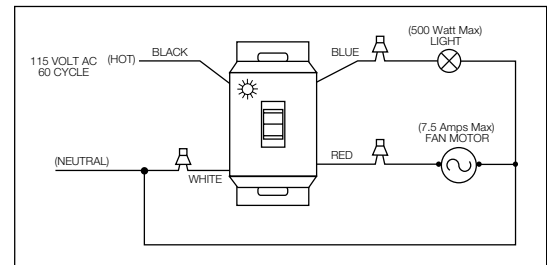
Time Delay Switch

Time delay switches save energy by automatically turning off equipment. They may be used with models XCR and XIR fans and fan/light combinations, for extended operating time of fan. Time delay switches act in the same manner as a standard switch, however, there is a delay of 1 to 60 minutes after the it has been turned off.



Model GTD - Single-switch controls both fan and light. Available shipped loose.

- Silent operation
- Rated for 115v
- UL Listed
- Requires 2x4 handy box

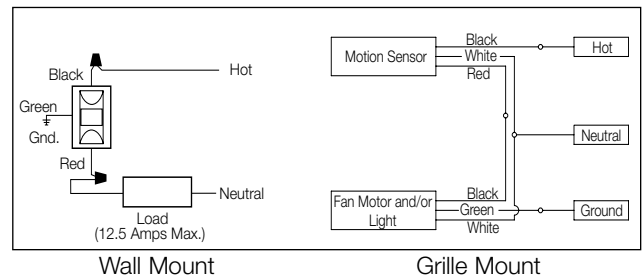


Motion Detectors

Motion detectors may be used with models XCR and XIR fans, or fan and light combinations. Motion detectors use a passive infrared motion detector that will automatically turn on the fan when a change in temperature is sensed. They have a viewing area of 180 degrees, however, they must be placed in the line-of-sight. They also have an adjustable time delay shutoff setting of 1 to 20 minutes.

Grille Motion Detectors (Model MDW) are available on models up through size XCR-A390 and XCR-B200. For use on fan or lights. Available shipped loose.

- Rated for 115v
- UL Listed
- Requires 2x4 handy box

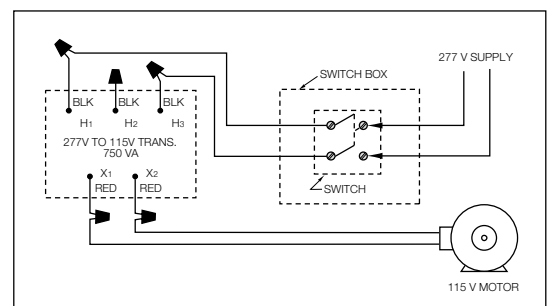


Transformers

Transformers are available for applications requiring voltage reduction. Selection is based on motor amperage. All transformers are shipped loose.



- Model T-2.0** - UL Listed
 - Rated for 230/277v to 115, 2 amps
- Model T-4.3** - UL Listed
 - Rated for 230/277v to 115, 4.3 amps
- Model T-6.5** - UL Listed
 - Rated for 230/277v to 115, 6.5 amps
- Model T-8.6** - UL Listed
 - Rated for 230/277v to 115, 8.6 amps



Ceiling Radiation Dampers

The Accurex XCR-A and XCR-B ceiling radiation dampers are UL Classified, rated at three to four hours fire resistance, and are available on all XCR-A and XCR-B fans and fan/light combinations. This design saves space by allowing the damper to mount directly beneath the fan.

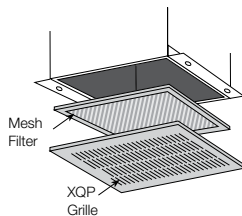


XCR Model	CRD	Length	Width	Height
A50 - A190	310	13½	11⅞	3
B50 - B200 A200 - A390	320	14¾	12¼	3
A410 - A510 A710 - A780	350	18⅞	14⅞	3
A - 700	700	24¾	12¼	3
A900 - A1550	360	24¾	14⅞	3

All dimensions shown in inches.
Add an "L" to all CRD models if fan & light combo is used.

Filters

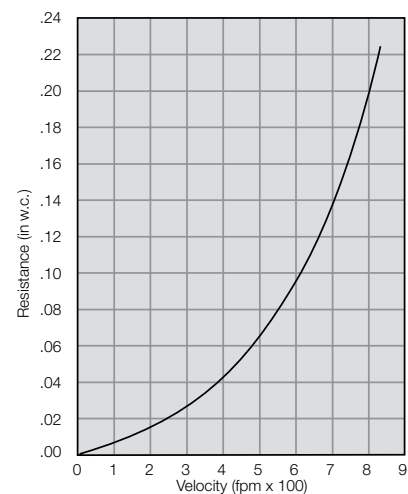
Fans used in most applications, even where air is not excessively dirty, will collect airborne dirt on wheels and motors over time. Accumulations of dirt on the fan wheel will sharply reduce performance and cause imbalance. Dirt buildup on the motor can cause it to overheat. All of these conditions will shorten the life of the fan. To help reduce this accumulation, washable aluminum mesh filters are available to trap dirt before it enters the fan. These filters should be regularly cleaned to maintain performance. The Filter Loss Chart shows the effect the filter will have on performance. To determine the added resistance, divide the desired cfm by the filter area (ft²). This will give FPM. Use this with the filter loss chart to get the added resistance. In addition to reducing dirt accumulations on the motor and wheel, filters also reduce sound levels.



XCR Model	Filter Model		Filter Area (ft ²)
	Designer Grill	*Metal Grille	
XCR-A50 - A190	F-200	F-210	.620
XCR-B50 - B200, A200 - A390	F-200	F-220	.785
XCR-A410 - A510	NA	F-250	1.319
XCR-A710 - A780	NA	F-250	1.319
XCR-A900 - A155	NA	F-260	1.797

All dimensions shown in inches. *Aluminium or Stainless Steel Grille.

FILTER LOSS CHART



Ceiling and Cabinet Fans

Options and Accessories

XCR. XIR.

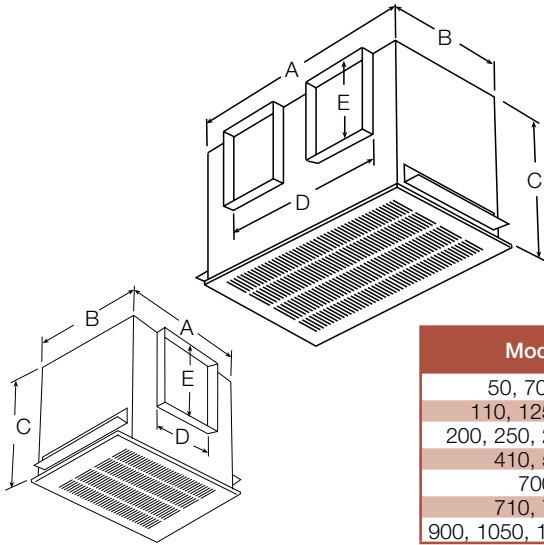
The following chart shows which options and accessories are available on Accurex's ceiling and cabinet fans.

Options and Accessories	XCR-A	XCR-B	XCR-C	XIR-A	XIR-B
Grille Options	Standard	Standard	—	—	—
Round Duct Connection	—	Standard	Standard	Optional	Standard
Round Duct Adapter	Optional	—	—	Optional	—
Electrical Wiring Feature	Standard	—	—	Standard	—
Vertical Discharge	Optional	—	—	Optional	—
Double-Wide Fans	Optional	—	—	Optional	—
Contractor 4 Paks	—	Optional	—	—	—
Light Options					
Prismatic Lens	Optional	Optional	—	—	—
Compact Fluorescent Lens	Optional	Optional	—	—	—
Frosted Lens	Optional	Optional	—	—	—
Incandescent Lamps	Optional	Optional	—	—	—
Speed Controls					
Model 5WSSC	Optional	Optional	Optional	Optional	Optional
Model 5W240	Optional	Optional	—	Optional	Optional
Model 5W277	Optional	Optional	—	Optional	Optional
Model 8WSSC	Optional	Optional	—	Optional	Optional
Model 10WSSC	Optional	Optional	Optional	Optional	Optional
Model 15WSSC	Optional	Optional	Optional	Optional	Optional
Switches					
NEMA-1	Optional	Optional	—	Optional	Optional
Model MS-16	Optional	Optional	—	Optional	Optional
Time Delay Switch					
Model GTD	Optional	Optional	—	Optional	Optional
Motion Detectors					
Model MDW	Optional	Optional	—	Optional	Optional
Transformers					
Model T-2.0	Optional	Optional	Optional	Optional	Optional
Model T-4.3	Optional	Optional	Optional	Optional	Optional
Model T-6.5	Optional	Optional	Optional	Optional	Optional
Model T-8.6	Optional	Optional	Optional	Optional	Optional
Dampers					
Ceiling Radiation Damper	Optional	Optional	—	—	—
Filters					
Filters	Optional	Optional	—	—	—
Wall Discharge					
Model WC (Round Connection)	Optional	Optional	Optional	Optional	Optional
Model WC (Square/Rect. Connection)	Optional	Optional	Optional	Optional	Optional
Model WL	Optional	Optional	Optional	Optional	Optional
Model BVE	Optional	Optional	Optional	Optional	Optional
Model RDC	Optional	Optional	Optional	Optional	Optional
Roof Discharge Accessories					
Model RJ (Pitched Roof Curb)	Optional	Optional	Optional	Optional	Optional
Model RCC-7	Optional	Optional	Optional	Optional	Optional
Model GRS	Optional	Optional	Optional	Optional	Optional
Model RFC-7	Optional	Optional	Optional	Optional	Optional
Model GRSF	Optional	Optional	Optional	Optional	Optional
Hanging Vibration Isolators	Optional	Optional	Optional	Optional	Optional

Ceiling and Cabinet Fans

Performance and Dimensional Data

XCR-A



Outlet connection width is 1 inch - Mounting bracket width is 1½ inch.
All dimensions are in inches.

Model	A	B	C	D	E	Standard Grille	Decorative Grille	Unit Wt.
50, 70, 90	13¼	10%	11%	6	DIA.	14⅞ x 13¼	15¼ sq.	12
110, 125, 190	13¼	10%	10½	8	6	14⅞ x 13¼	15¼ sq.	17
200, 250, 290, 390	14	11%	11¼	8	8	14⅞ x 13¼	15¼ sq.	24
410, 510	18	14⅞	14½	8	8	19⅞ x 16%	-	31
700	23⅞	11%	11%	19½	8	25⅞ x 13½	-	34
710, 780	18	14⅞	14½	10	8	19⅞ x 16%	-	34
900, 1050, 1410, 1550	23⅞	14%	14½	18¾	8	25 x 16%	-	56

Model	RPM	amps	Watts	HVI ¹ sones	cfm/Static Pressure (in. wg)									
					0.000	0.100	0.125	0.250	0.375	0.500	0.625	0.750	1.000	
2,3,5 XCR-A50	700	0.31	18	0.7	cfm	76	51	47	30					
					sones	0.7	1.0	1.1	1.8					
2,3,5 XCR-A70	850	0.27	20	0.8	cfm	83	70	66	42					
					sones	1.1	1.1	1.4	2.2					
2,3,5 XCR-A90	900	0.34	29	1.0	cfm	99	88	84	61	25				
					sones	1.1	1.4	1.4	1.7	1.9				
2,3,4,5,6 XCR-A110	950	0.58	49	0.8	cfm	119	110	106	88					
					sones	1.3	1.2	1.2	1.6					
2,3,5,6 XCR-A125	1100	0.62	53	1.2	cfm	135	123	121	104					
					sones	1.4	1.7	1.8	1.9					
3,4,5,6 XCR-A190	1400	1.30	113	2.0	cfm	216	197	192	167	133				
					sones	3.2	2.8	2.9	3.1	3.4				
3,5 XCR-A200	900	0.43	48	2.0	cfm	247	225	220	196	172	142	105	67	
					sones	2.0	2.3	2.4	3.0	3.5	4.1	4.6	4.5	
3,5 XCR-A250	1000	0.77	83	2.0	cfm	272	251	246	227	210	185	157	119	
					sones	2.9	3.0	3.0	3.4	4.4	4.6	4.9	5.2	
3,4,5 XCR-A290	1050	0.72	81	2.5	cfm	315	293	287	257	231	207	175	124	
					sones	3.2	3.3	3.3	3.6	3.9	4.1	4.5	5.5	
3,4,5 XCR-A390	1350	1.34	135	4.5	cfm	410	395	391	368	345	325	307	279	
					sones	5.4	5.4	5.4	5.7	6.0	6.3	6.4	6.7	
3 XCR-A410	1000	1.74	121	3.0	cfm	443	413	405	351	305				
					sones	4.1	3.8	3.7	3.7	4.3				
3,4 XCR-A510	1070	3.30	224	4.5	cfm	557	512	501	439	392	325			
					sones	6.0	5.7	5.6	5.5	5.4	4.7			
3 XCR-A700	1100	3.20	350	5.5	cfm	757	729	723	700	679	649	613	560	396
					sones	6.1	6.1	6.1	6.3	6.7	7.1	7.3	7.5	7.7
3 XCR-A710	1080	4.40	285	6.0	cfm	752	714	701	653	588	485	320		
					sones	7.4	7.2	7.2	7.0	6.8	6.7	6.7		
3,4 XCR-A780	1600	3.30	348	8.5	cfm	812	782	775	741	704	665	625	581	
					sones	10.2	10.2	10.2	9.9	9.5	9.5	9.4	9.4	
3 XCR-A900	950	4.00	285	4.5	cfm	955	907	896	841	773	701			
					sones	5.2	5.7	5.8	6.1	6.2	6.2			
3,4 XCR-A1050	1095	6.30	420	6.0	cfm	1125	1059	1043	964	885	796	662		
					sones	7.2	7.0	6.9	6.8	6.6	6.5	6.5		
3 XCR-A1410	1450	7.40	786	9.5	cfm	1455	1414	1404	1353	1307	1262	1218	1174	
					sones	11.6	11.6	11.7	11.6	11.5	11.6	11.6	11.6	11.6
3,4 XCR-A1550	1610	8.60	818	10.0	cfm	1607	1568	1558	1506	1449	1407	1369	1323	
					sones	12.4	12.1	12.1	12.0	11.9	12.8	14.1	15.9	

¹ HVI sones at 0.1 wg
² Available with light

³ Available with CRD - Ceiling Radiation Damper
⁴ Available with 50 Hz motors

⁵ UL Listed for use above tubs
⁶ Available with 277 volt motor

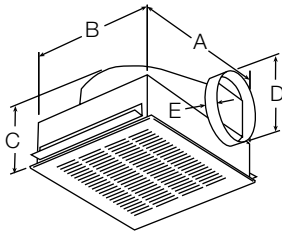
Performance certified is for Model XCR exhaust for installation Type B Free inlet, Ducted outlet. Performance ratings include the effects of an inlet grille and backdraft damper. Speed (RPM) shown is nominal. Performance is based on actual speed of test. The sound ratings shown are loudness values in fan sones at 5 ft. (1.5 m) in a hemispherical free field calculated per AMCA Standard 301. Values are for installation Type B Free inlet fan sone levels.

Ceiling and Cabinet Fans

Performance and Dimensional Data

XCR-B and XCR-C

XCR-B



*Add 1½ inches to C dimension for incandescent light.

Mounting bracket width is 1½ inch

All dimensions are in inches.

Model	A	B	*C	D	E	Standard Grille	Decorative Grille	Unit Wt.
50, 70, 80	13 ⁷ / ₈	11½	6 ¹⁵ / ₁₆	4	3/4	14 ⁷ / ₈ x 13 ¹ / ₄	15¼ sq.	9
90, 110, 150, 200	13 ⁷ / ₈	11½	7 ¹⁵ / ₁₆	6	1¼	14 ⁷ / ₈ x 13 ¹ / ₄	15¼ sq.	10

Model	RPM	amps	Watts	HVI ¹ sones	cfm/Static Pressure (in. wg)									
					0.000	0.100	0.125	0.250	0.375	0.500	0.625	0.750	1.000	
2,3,5 XCR-B50	625	0.50	38	1.4	cfm	67	53	51	40	29				
					sones	1.7	1.9	1.9	2.6	3.5				
2,3,5 XCR-B70	675	0.53	45	1.4	cfm	77	70	68	57	49	39			
					sones	1.7	1.9	1.9	2.4	3.1	3.6			
2,3,5 XCR-B80	900	0.60	54	2.5	cfm	87	80	78	68	61	54	44	30	
					sones	2.9	2.9	3.0	3.2	3.6	4.3	5.5	5.6	
2,3,4,5 XCR-B90	700	0.65	50	2.0	cfm	102	92	88	75	59	45	30		
					sones	1.9	2.6	2.7	3.0	3.6	4.1	4.9		
2,3,4,5,6 XCR-B110	950	1.14	80	1.5	cfm	133	114	110	97	95	94	91	85	50
					sones	2.0	2.1	2.2	2.4	2.7	2.8	3.6	4.4	5.4
2,3,4,5,6 XCR-B150	1050	1.70	129	2.5	cfm	160	156	155	154	152	149	147	138	92
					sones	3.0	3.3	3.3	3.7	4.3	4.5	5.0	5.3	5.8
3,4,5,6 XCR-B200	1100	2.20	173	4.0	cfm	197	195	194	191	187	184	181	166	128
					sones	4.4	4.6	4.7	5.1	5.6	5.8	6.0	6.3	6.6

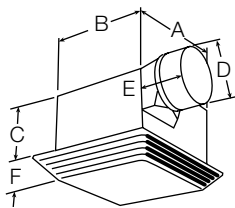
¹ HVI sones at 0.1 wg
² Available with light

³ Available with CRD - Ceiling Radiation Damper
⁴ Available with 50 Hz motors

⁵ UL Listed for use above tubs
⁶ Available with 277 volt motor

Performance certified is for Model XCR exhaust for installation Type B Free inlet, Ducted outlet. Performance ratings include the effects of an inlet grille and backdraft damper. Speed (RPM) shown is nominal. Performance is based on actual speed of test. The sound ratings shown are loudness values in fan sones at 5 ft. (1.5 m) in a hemispherical free field calculated per AMCA Standard 301. Values are for installation Type B Free inlet fan sone levels.

XCR-C



All dimensions are in inches.

Model	A	B	C	D	E	F	Grille	Wt.
50	7½	7½	3 ³ / ₈	3	1 ⁵ / ₈	1/2	9¼ x 9	5

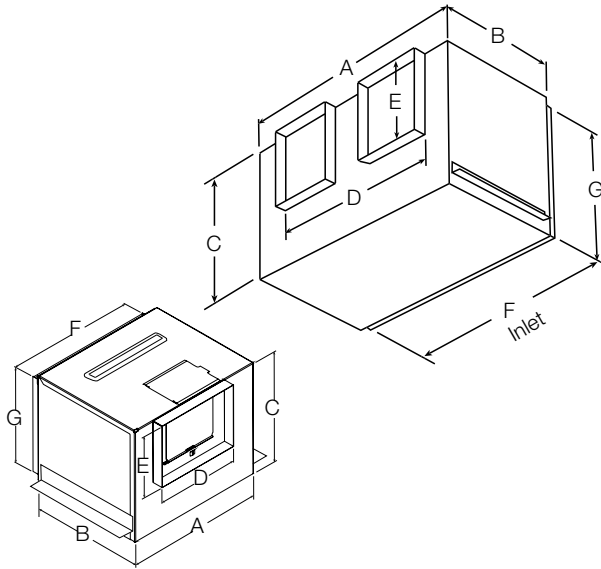
Model	RPM	amps	Watts	cfm/Static Pressure (in. wg)							
				0.00	0.100	0.125	0.250	0.375	0.500	0.625	
XCR-C50	1680	0.80	46	cfm	52	49	48	46	43	37	29
				sones	2.9	3.6	3.6	3.9	4.2	4.8	6.3

Performance certified is for Model XCR exhaust for installation Type B Free inlet, Ducted outlet. Performance ratings include the effects of an inlet grille and backdraft damper. Speed (RPM) shown is nominal. Performance is based on actual speed of test. The sound ratings shown are loudness values in fan sones at 5 ft. (1.5 m) in a hemispherical free field calculated per AMCA Standard 301. Values are for installation Type B Free inlet fan sone levels.

Ceiling and Cabinet Fans

Performance and Dimensional Data

XIR-A



Inlet and outlet connections widths are 1 inch - Mounting bracket width is 1½ inch
All dimensions are in inches.

Model	A	B	C	D	E	F	G	Wt.
110, 125, 190	13¼	10⅝	10½	8	6	12	9¼	16
200, 250, 290, 390	14	11⅞	11¼	8	8	12⅞	10	23
410, 510	18	14⅞	14½	8	8	16⅞	13¼	36
700	23⅞	11⅞	11⅞	19½	8	22⅞	10½	34
710, 780	18	14⅞	14½	10	8	16⅞	13¼	36
900, 1050, 1410, 1550	23¾	14⅞	14½	18¾	8	22⅞	13¼	59
1750, 2150	35	14¾	14¾	28	6	32¾	13	68
3600	45½	16½	16½	40	11	43¼	14⅝	122

Model	RPM	amps	Watts	cfm/Static Pressure (in. wg)										
				0.000	0.100	0.125	0.250	0.375	0.500	0.625	0.750	1.000		
^{4,6} XIR-A110	950	0.62	51	cfm	124	112	110	102	77					
				sones	1.1	1.1	1.1	1.3	1.3					
⁶ XIR-A125	1100	0.63	55	cfm	138	126	124	113	91					
				sones	1.4	1.4	1.3	1.4	1.7					
^{4,6} XIR-A190	1400	1.10	100	cfm	215	202	198	180	159	121				
				sones	2.3	2.0	2.2	2.7	2.9	3.0				
XIR-A200	900	0.43	48	cfm	254	230	225	203	177	145	109	70		
				sones	0.8	0.7	0.8	1.3	1.5	1.9	2.2	2.1		
XIR-A250	1000	0.79	83	cfm	266	246	241	221	205	187	165	132		
				sones	1.3	1.5	1.5	2.3	3.3	3.4	3.2	3.0		
XIR-A290	1050	0.71	80	cfm	318	299	292	265	248	229	201	144		
				sones	1.6	1.7	1.8	2.6	3.3	4.0	3.7	3.4		
⁴ XIR-A390	1350	1.33	144	cfm	412	400	397	382	363	339	324	309		
				sones	2.8	2.7	2.8	3.2	3.7	4.7	5.5	6.5		
XIR-A410	1000	1.87	139	cfm	447	411	403	364	316	217				
				sones	2.2	2.1	2.2	2.5	2.7	2.7				
XIR-A510	1070	3.11	217	cfm	545	514	506	464	405	324				
				sones	3.1	2.9	2.8	2.8	2.7	3.1				
XIR-A700	1100	3.20	350	cfm	766	755	752	739	726	702	678	635	418	
				sones	2.6	2.5	2.4	2.4	2.5	2.6	2.7	3.0	4.9	
XIR-A710	1080	4.40	325	cfm	737	698	688	635	566	474	334			
				sones	3.2	3.3	3.2	3.3	2.7	2.5	2.7			
⁴ XIR-A780	0600	3.77	405	cfm	813	783	776	741	707	671	637	603	527	
				sones	3.8	3.6	3.6	3.5	3.4	3.5	3.6	3.8	4.3	
XIR-A900	950	4.87	328	cfm	908	852	840	782	714	631				
				sones	1.9	2.0	2.0	2.3	2.6	2.9				
⁴ XIR-A1050	1095	6.65	455	cfm	1182	1110	1093	1013	922	832	743			
				sones	3.5	3.2	3.1	3.1	3.4	3.4	3.4			
XIR-A1410	1450	7.80	822	cfm	1584	1543	1533	1483	1439	1395	1345	1293	1181	
				sones	4.2	4.0	4.0	4.1	4.2	4.3	4.5	4.6	5.0	
⁴ XIR-A1550	1610	8.32	830	cfm	1672	1617	1604	1542	1484	1427	1367	1306	1171	
				sones	5.8	5.4	5.3	5.4	5.4	5.1	5.1	5.2	5.8	
XIR-A1750	1130	6.60	550	cfm	1842	1767	1749	1619	1463	1283	1032	771		
				sones	6.4	6.0	6.0	5.5	5.3	4.7	4.1	3.8		
XIR-A2150	1100	7.80	735	cfm	2249	2175	2156	2044	1900	1701	1424	1114		
				sones	6.0	5.8	5.8	5.2	5.0	4.6	3.8	3.4		
XIR-A3600	1100	7.10	1330	cfm	3778	3653	3622	3460	3280	3091	2844	2551	1750	
				sones	6.4	6.1	6.1	5.7	5.4	5.1	4.9	4.7	4.3	

⁴ Units available with 50 Hz motors

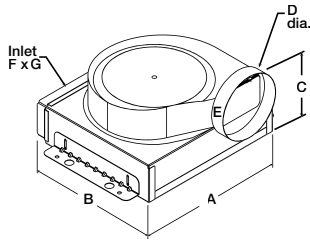
⁶ Available with 277 volt motor

Performance certified is for Model XIR inline for installation Type D Ducted inlet, Ducted outlet. Performance ratings include the effects of a backdraft damper. Speed (RPM) shown is nominal. Performance is based on actual speed of test. The sound ratings shown are loudness values in fan sones at 5 ft. (1.5 m) from the test inlet duct in a hemispherical free field calculated per AMCA Standard 301. Values are for installation Type D Ducted inlet fan some levels. Ratings do not include the effects of duct end correction. Ratings are based on 10 ft. (3.0 m) of insulated duct. The AMCA Certified Ratings Seal applies to air performance only.

Ceiling and Cabinet Fans

Performance and Dimensional Data

XIR-B



Outlet connection width is 1 inch - Mounting bracket width is 1½ inch
All dimensions are in inches.

Model	A	B	C	D	E	F	G	Wt.
110, 150, 200	13 ⁷ / ₈	11 ¹ / ₂	7 ¹⁵ / ₁₆	6	1 ¹ / ₄	10 ¹ / ₄	3 ³ / ₄	10 ¹ / ₄

Model	RPM	amps	Watts		cfm/Static Pressure (in. wg)							
					0.000	0.100	0.125	0.250	0.375	0.500	0.625	0.750
^{4,6} XIR-B110	950	1.14	80	cfm	103	100	99	98	97	96	93	86
				sones	2.0	2.0	2.1	2.3	2.6	2.7	3.1	3.3
^{4,6} XIR-B150	1050	1.70	129	cfm	151	149	149	148	147	145	142	134
				sones	2.5	2.7	2.7	2.9	3.1	3.4	3.6	3.9
^{4,6} XIR-B200	1100	2.20	173	cfm	186	184	183	182	180	178	175	169
				sones	3.4	3.6	3.7	4.0	4.1	4.1	4.3	4.5

⁴ Units available with 50 Hz motors

⁶ Available with 277 volt motor

Performance certified is for Model XIR inline for installation Type D Ducted inlet, Ducted outlet. Performance ratings include the effects of a backdraft damper. Speed (RPM) shown is nominal. Performance is based on actual speed of test. The sound ratings shown are loudness values in fan sones at 5 ft. (1.5 m) from the test inlet duct in a hemispherical free field calculated per AMCA Standard 301. Values are for installation Type D Ducted inlet fan sone levels. Ratings do not include the effects of duct end correction. Ratings are based on 10 ft. (3.0 m) of insulated duct. The AMCA Certified Ratings Seal applies to air performance only.

